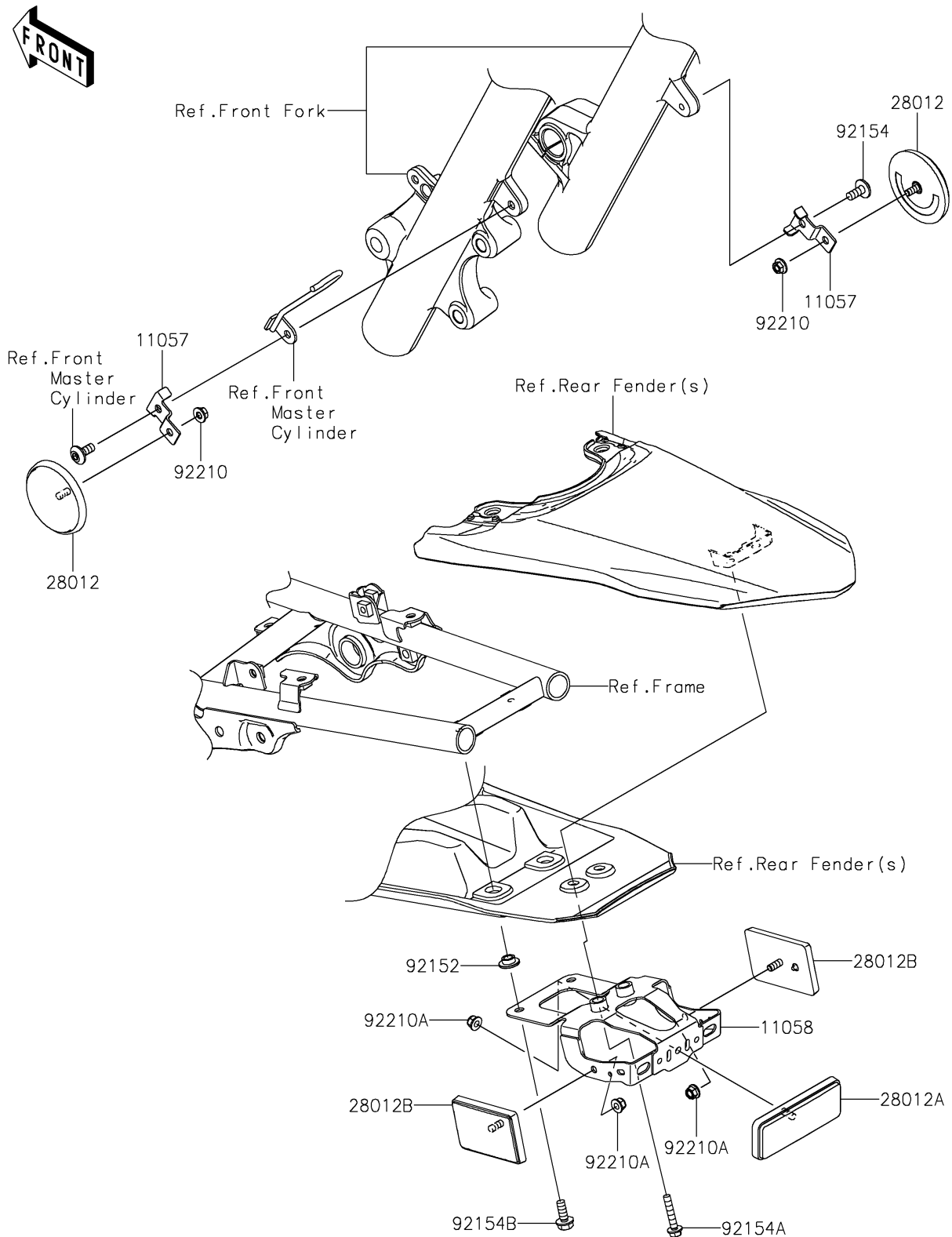


2026 KLX230R S

PARTS DIAGRAM

Reflectors(CN)

F2790



2026 KLX230R S

PARTS LIST

Reflectors(CN)

ITEM NAME	PART NUMBER	QUANTITY
BRACKET,FR (Ref # 11057)	11057-2421	2
BRACKET,REFLECTOR,RR (Ref # 11058)	11058-2265	1
REFLECTOR-REFLEX (Ref # 28012)	28012-0008	2
REFLECTOR-REFLEX (Ref # 28012A)	28012-1077	1
REFLECTOR-REFLEX (Ref # 28012B)	28012-1088	2
COLLAR,6.5X16X5.6 (Ref # 92152)	92152-1830	2
BOLT,SOCKET,6X14 (Ref # 92154)	92154-3763	1
BOLT,FLANGED,5X28 (Ref # 92154A)	92154-7459	2
BOLT,FLANGED,6X16 (Ref # 92154B)	92154-7460	2
NUT,FLANGED,5MM (Ref # 92210)	92210-0007	2
NUT,LOCK,FLANGED,5MM (Ref # 92210A)	92210-1991	3