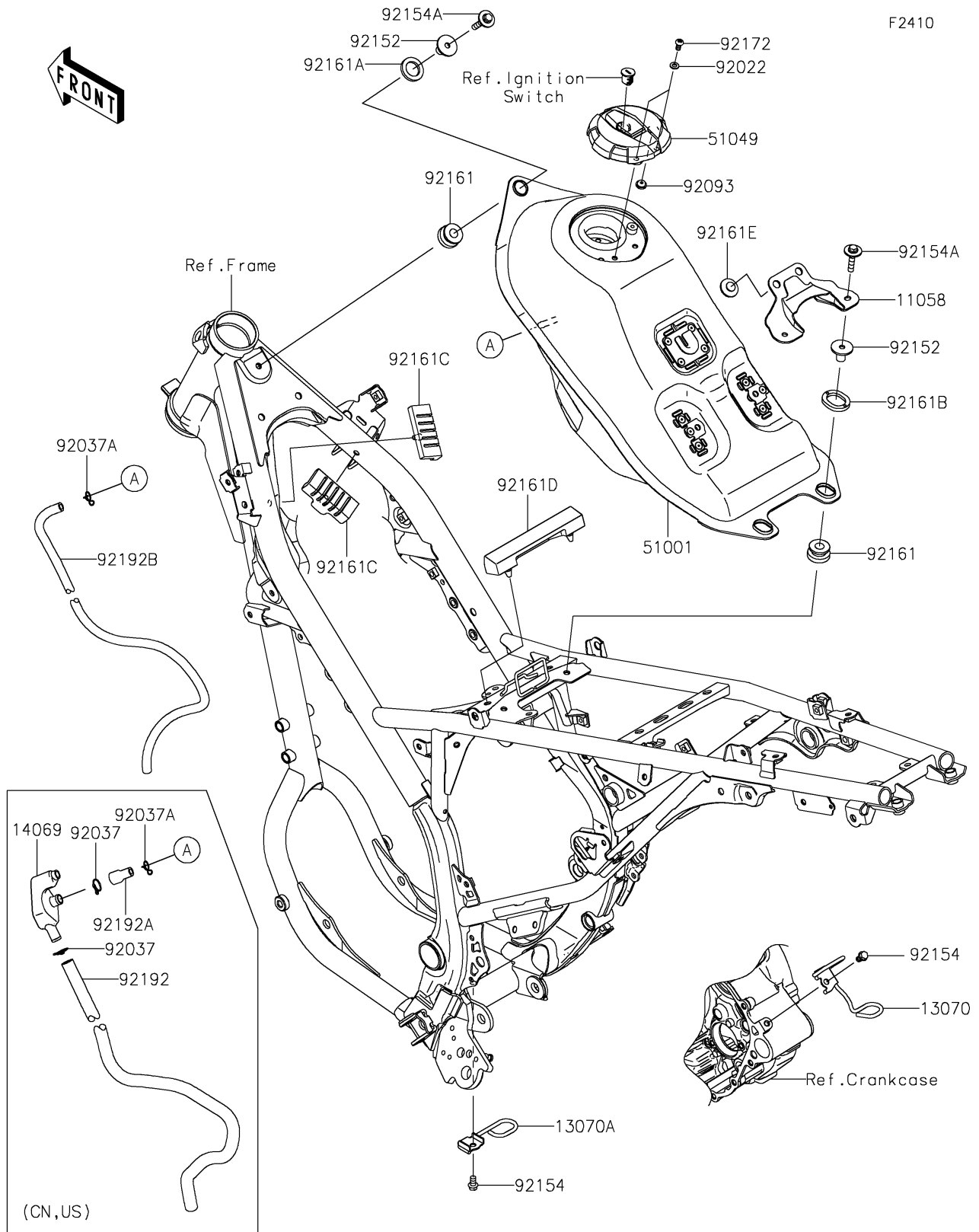


# 2025 KLX230R S

## PARTS DIAGRAM

### Fuel Tank



# 2025 KLX230R S

## PARTS LIST

### Fuel Tank

ITEM NAME	PART NUMBER	QUANTITY
BRACKET,FUEL TANK (Ref # 11058)	11058-1312	1
GUIDE (Ref # 13070)	13070-0909	1
GUIDE (Ref # 13070A)	13070-0912	1
BREATHER,FUEL TANK (Ref # 14069)	14069-0033	1
TANK-COMP-FUEL,F.S.BLACK (Ref # 51001)	51001-0937-25Q	1
CAP-TANK,FUEL (Ref # 51049)	51049-0784	1
WASHER,5.1X10X1.0 (Ref # 92022)	92022-1977	2
CLAMP,12.5MM (Ref # 92037)	92037-1271	2
CLAMP (Ref # 92037A)	92037-1712	1
SEAL,RO 2X12X4.8 (Ref # 92093)	92093-0722	1
COLLAR,6.8X10X16 (Ref # 92152)	92152-2666	3
BOLT,FLANGED,6X10 (Ref # 92154)	92154-0459	2
BOLT,FLANGED,6X30 (Ref # 92154A)	92154-7273	3
DAMPER,FUEL TANK,FR (Ref # 92161)	92161-1392	3
DAMPER (Ref # 92161A)	92161-2216	1
DAMPER (Ref # 92161B)	92161-2217	2
DAMPER (Ref # 92161C)	92161-2286	2
DAMPER,FUEL TANK (Ref # 92161D)	92161-2537	1
DAMPER (Ref # 92161E)	92161-2547	2
SCREW,5X10 (Ref # 92172)	92172-0496	2
TUBE,10X14X870 (Ref # 92192)	92192-1964	1
TUBE (Ref # 92192A)	92192-2721	1
TUBE,DRAIN (Ref # 92192B)	92192-2722	1