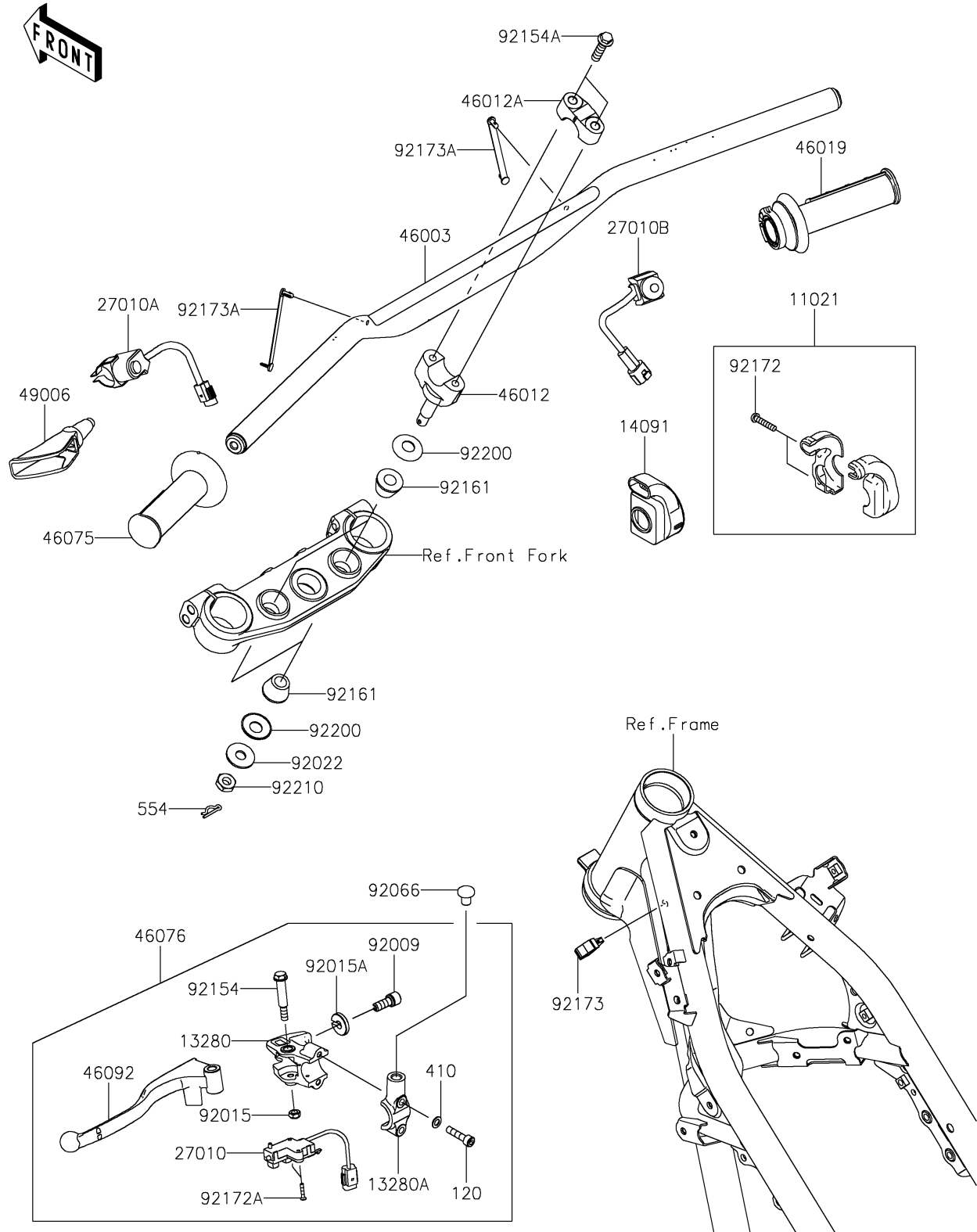


2026 KLX230R S

PARTS DIAGRAM

Handlebar

F2310



2026 KLX230R S

PARTS LIST

Handlebar

ITEM NAME	PART NUMBER	QUANTITY
CASE-ASSY,THROTTLE (Ref # 11021)	11021-0035	1
HOLDER,LEVER (Ref # 13280)	13280-0929	1
HOLDER,MIRROR (Ref # 13280A)	13280-0930	1
COVER,THROTTLE CASE (Ref # 14091)	14091-0182	1
SWITCH,CLUTCH (Ref # 27010)	27010-0905	1
SWITCH,ENGINE STOP (Ref # 27010A)	27010-0927	1
SWITCH,ENGINE START (Ref # 27010B)	27010-0928	1
HANDLE,P.SILVER (Ref # 46003)	46003-0843-458	1
HOLDER-HANDLE,LWR,P.SILVER (Ref # 46012)	46012-0075-458	2
HOLDER-HANDLE,UPP,P.SILVER (Ref # 46012A)	46012-0380-458	2
GRIP-ASSY,THROTTLE (Ref # 46019)	46019-0041	1
GRIP,LH (Ref # 46075)	46075-0072	1
LEVER-ASSY-GRIP,CLUTCH (Ref # 46076)	46076-0200	1
LEVER-GRIP,CLUTCH (Ref # 46092)	46092-0586	1
BOOT,LEVER HOLDER (Ref # 49006)	49006-0080	1
SCREW,CABLE ADJUST,8MM,BLACK (Ref # 92009)	92009-1134	1
NUT,LOCK,6MM,BLACK (Ref # 92015)	92015-1191	1
NUT,CABLE ADJUST LOCK,8MM,BLK (Ref # 92015A)	92015-1197	1
WASHER,10.2X28X2 (Ref # 92022)	92022-1088	2
PLUG (Ref # 92066)	92066-0965	1
BOLT,FLANGED,6X44 (Ref # 92154)	92154-2331	1
BOLT,FLANGED,8X30 (Ref # 92154A)	92154-7282	4
DAMPER,12X26X19 (Ref # 92161)	92161-2116	4
SCREW,5X20 (Ref # 92172)	92172-0069	2
SCREW,3X16 (Ref # 92172A)	92172-0183	2
CLAMP (Ref # 92173)	92173-2074	1
CLAMP,SPEED,L=80.5 (Ref # 92173A)	92173-2736	2
WASHER,12.5X27.6X1.2 (Ref # 92200)	92200-0872	4
NUT,LOCK,10MM (Ref # 92210)	92210-1672	2

2026 KLX230R S

PARTS LIST

Handlebar

ITEM NAME	PART NUMBER	QUANTITY
BOLT-SOCKET,6X25 (Ref # 120)	120CB0625	2
WASHER-PLAIN-SMALL,6MM (Ref # 410)	410AB0600	2
PIN-SNAP (Ref # 554)	554DA0800	2