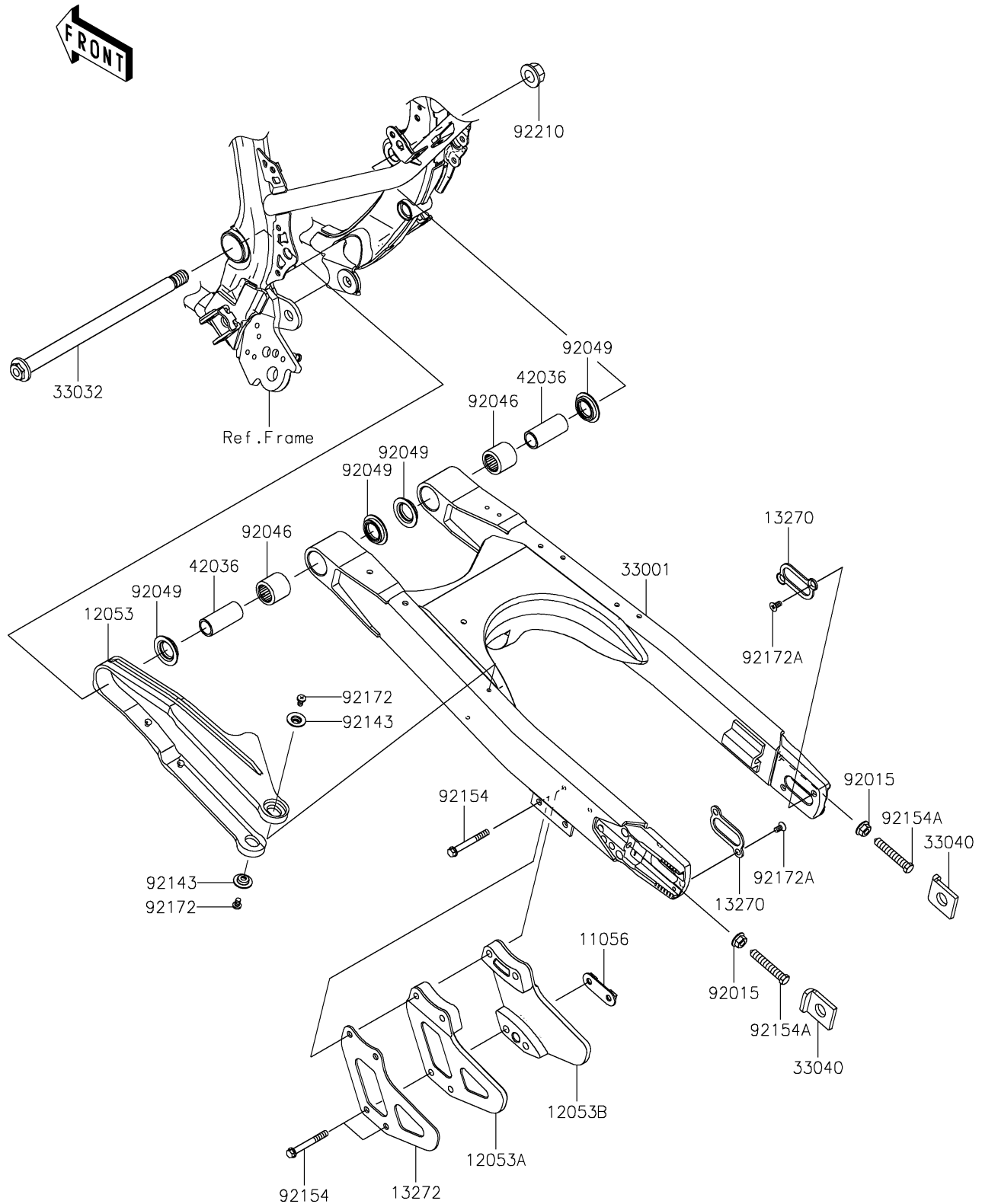


2026 KLX[®] 230R S

PARTS DIAGRAM

Swingarm

F2141



2026 KLX® 230R S

PARTS LIST

Swingarm

ITEM NAME	PART NUMBER	QUANTITY
BRACKET,WITH NUT (Ref # 11056)	11056-2396	1
GUIDE-CHAIN (Ref # 12053)	12053-0267	1
GUIDE-CHAIN,OUTER (Ref # 12053A)	12053-0268	1
GUIDE-CHAIN,INNER (Ref # 12053B)	12053-0269	1
PLATE (Ref # 13270)	13270-1899	2
PLATE,GUIDE-CHAIN (Ref # 13272)	13272-2610	1
ARM-COMP-SWING (Ref # 33001)	33001-0709	1
SHAFT-SWING ARM,15X243 (Ref # 33032)	33032-0060	1
ADJUSTER-CHAIN (Ref # 33040)	33040-0032	2
SLEEVE,15X20X46 (Ref # 42036)	42036-0831	2
NUT,FLANGED,8MM (Ref # 92015)	92015-1014	2
BEARING-NEEDLE,BM202726 (Ref # 92046)	92046-1110	2
SEAL-OIL (Ref # 92049)	92049-0849	4
COLLAR (Ref # 92143)	92143-1676	2
BOLT,FLANGED,6X50 (Ref # 92154)	92154-1193	4
BOLT,8X46 (Ref # 92154A)	92154-4367	2
SCREW,5X8 (Ref # 92172)	92172-1540	2
SCREW,5X10 (Ref # 92172A)	92172-1541	4
NUT,14MM (Ref # 92210)	92210-1990	1