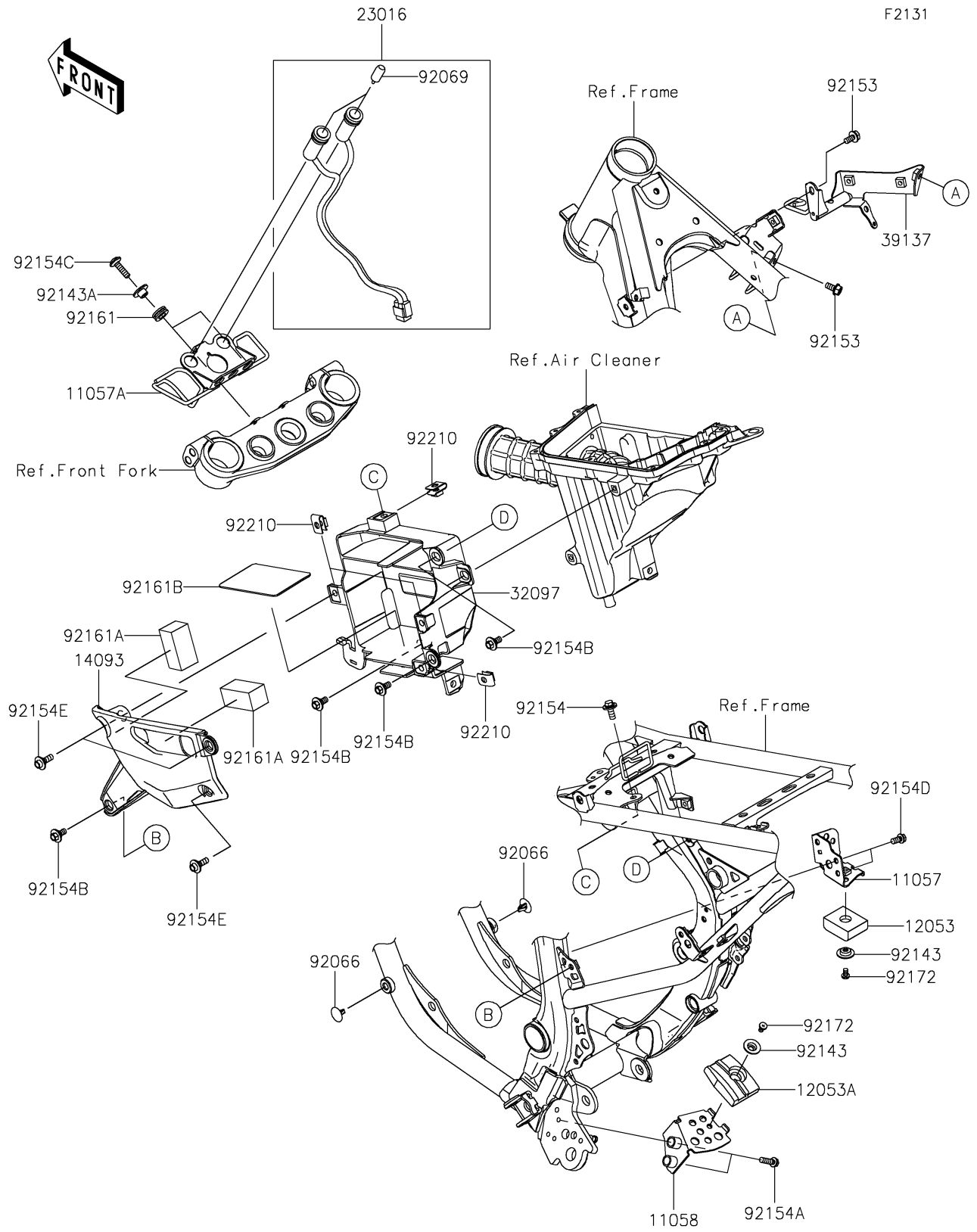


# 2026 KLX<sup>®</sup>230R S

## PARTS DIAGRAM

### Frame Fittings



# 2026 KLX<sup>®</sup> 230R S

## PARTS LIST

### Frame Fittings

ITEM NAME	PART NUMBER	QUANTITY
BRACKET,UPP (Ref # 11057)	11057-2067	1
BRACKET,INDICATOR (Ref # 11057A)	11057-2082	1
BRACKET,LWR (Ref # 11058)	11058-0854	1
GUIDE-CHAIN,UPP (Ref # 12053)	12053-0270	1
GUIDE-CHAIN,LWR (Ref # 12053A)	12053-0271	1
COVER,BATTERY CASE (Ref # 14093)	14093-1562	1
LAMP-ASSY,INDICATOR (Ref # 23016)	23016-0626	1
CASE-BATTERY (Ref # 32097)	32097-0571	1
STAY-COMP,REGULATOR (Ref # 39137)	39137-0763	1
PLUG (Ref # 92066)	92066-0934	2
BULB,12V 3.4W,T10 (Ref # 92069)	92069-1007	2
COLLAR (Ref # 92143)	92143-1676	2
COLLAR (Ref # 92143A)	92143-1833	2
BOLT,FLANGED,6X12 (Ref # 92153)	92153-1283	2
BOLT,FLANGED-SMALL,6X16 (Ref # 92154)	92154-1183	1
BOLT,FLANGED,6X20 (Ref # 92154A)	92154-2757	2
BOLT,FLANGED,6X13 (Ref # 92154B)	92154-4411	5
BOLT,SOCKET,6X22 (Ref # 92154C)	92154-7272	2
BOLT,FLANGED,6X12 (Ref # 92154D)	92154-7279	2
BOLT,FLANGED,6X14 (Ref # 92154E)	92154-7286	3
DAMPER,10X18X6.5 (Ref # 92161)	92161-2091	2
DAMPER,49X23X25 (Ref # 92161A)	92161-2603	2
DAMPER,BATTERY CASE (Ref # 92161B)	92161-2604	1
SCREW,5X8 (Ref # 92172)	92172-1540	2
NUT,6MM (Ref # 92210)	92210-0218	4