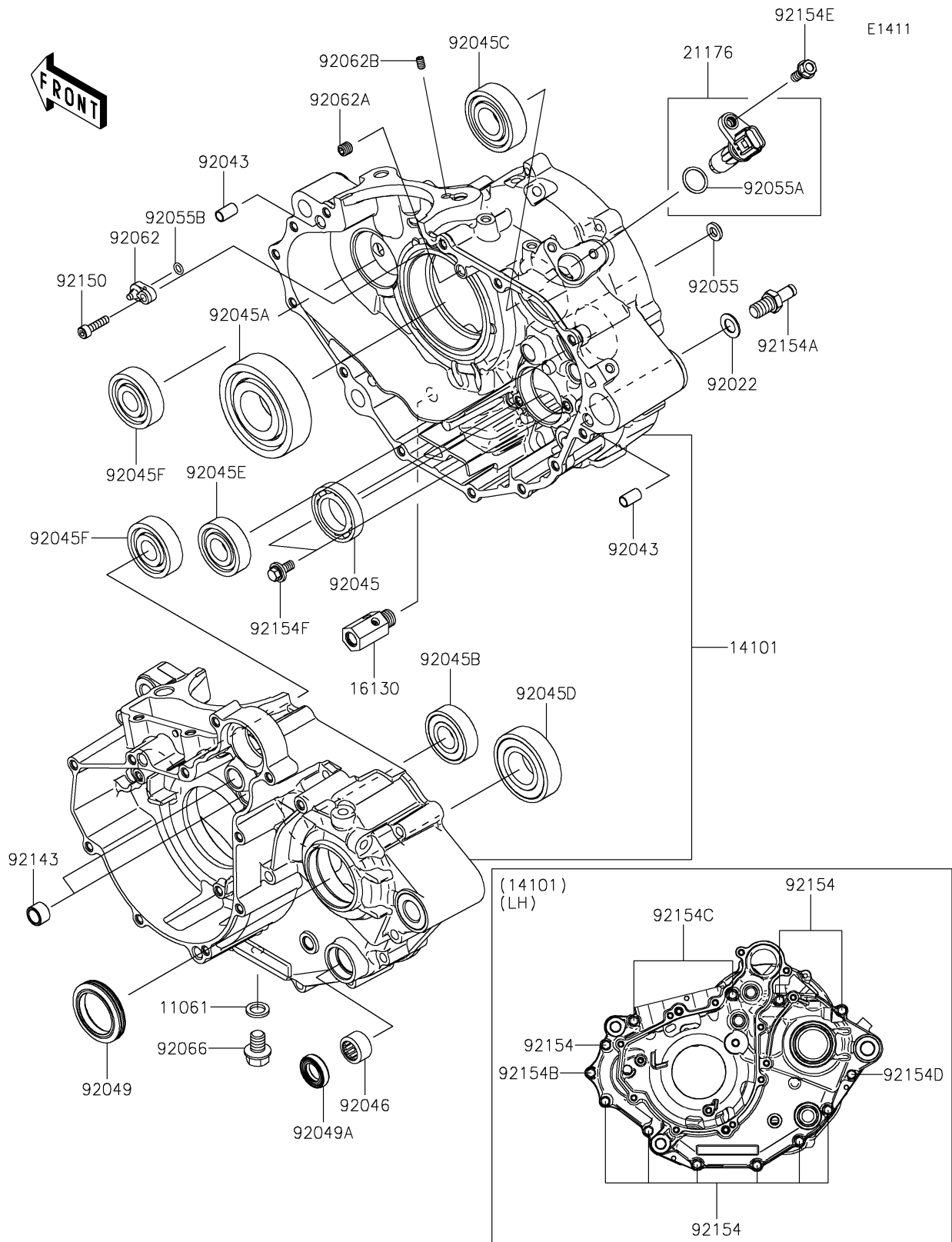


# 2025 KLX<sup>®</sup>230R S

## PARTS DIAGRAM

### Crankcase



# 2025 KLX<sup>®</sup> 230R S

## PARTS LIST

### Crankcase

**ITEM NAME**

**PART NUMBER**

**QUANTITY**

---