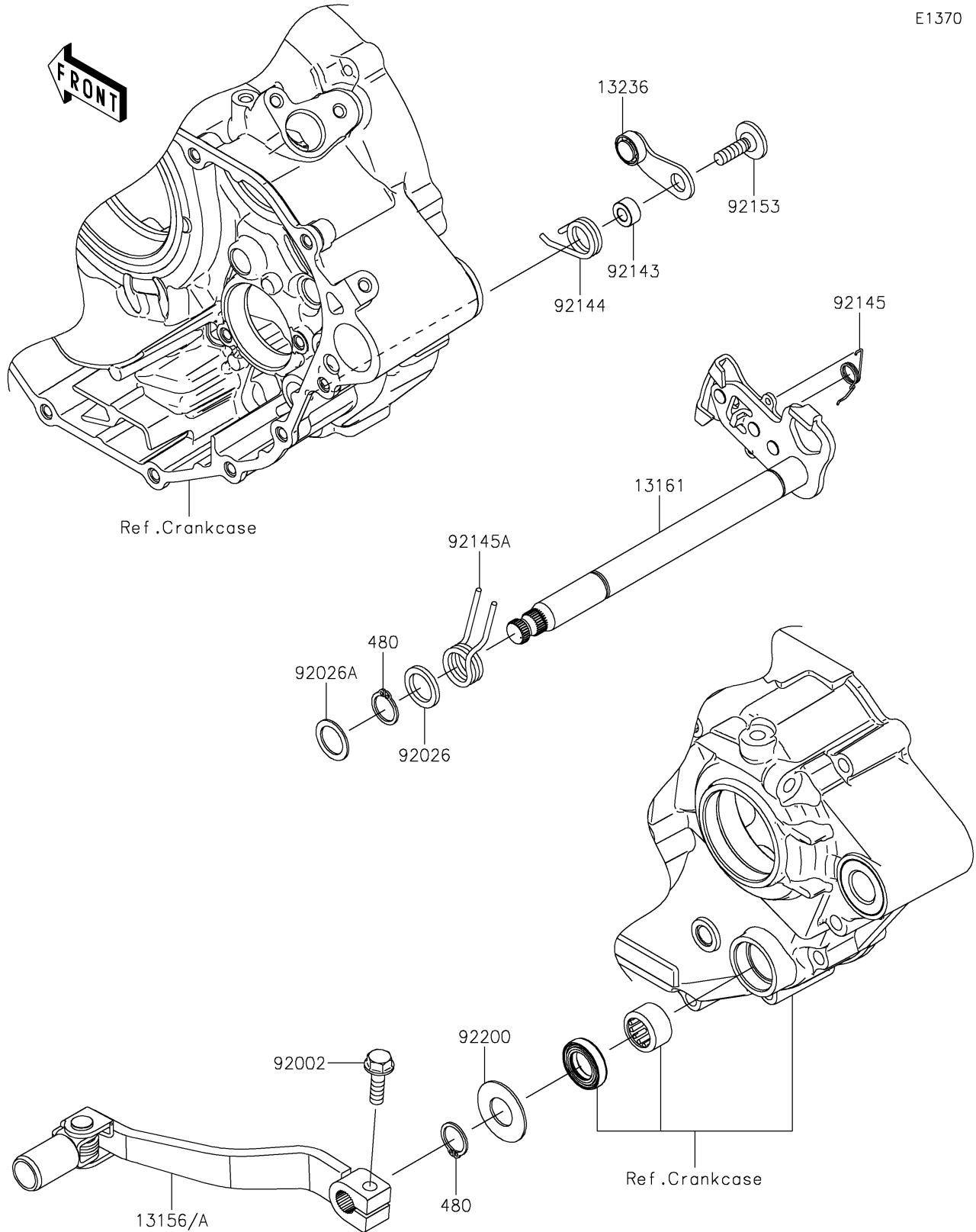


# 2025 KLX230R S

## PARTS DIAGRAM

### Gear Change Mechanism

E1370



# 2025 KLX230R S

## PARTS LIST

### Gear Change Mechanism

| ITEM NAME                             | PART NUMBER | QUANTITY |
|---------------------------------------|-------------|----------|
| LEVER-CHANGE,PEDAL (Ref # 13156)      | 13156-0696  | 1        |
| LEVER-COMP-CHANGE SHAFT (Ref # 13161) | 13161-0612  | 1        |
| LEVER-COMP,POSITION (Ref # 13236)     | 13236-0818  | 1        |
| BOLT,6X20 (Ref # 92002)               | 92002-1237  | 1        |
| SPACER,14X20X2.3 (Ref # 92026)        | 92026-0107  | 1        |
| SPACER,14X20X1.0 (Ref # 92026A)       | 92026-1534  | 1        |
| COLLAR (Ref # 92143)                  | 92143-1595  | 1        |
| SPRING,GEAR POSITION (Ref # 92144)    | 92144-1523  | 1        |
| SPRING (Ref # 92145)                  | 92145-0414  | 1        |
| SPRING,RETURN (Ref # 92145A)          | 92145-0415  | 1        |
| BOLT,6X20 (Ref # 92153)               | 92153-1505  | 1        |
| WASHER (Ref # 92200)                  | 92200-0265  | 1        |
| CIRCLIP-TYPE-C,14MM (Ref # 480)       | 480J1400    | 2        |