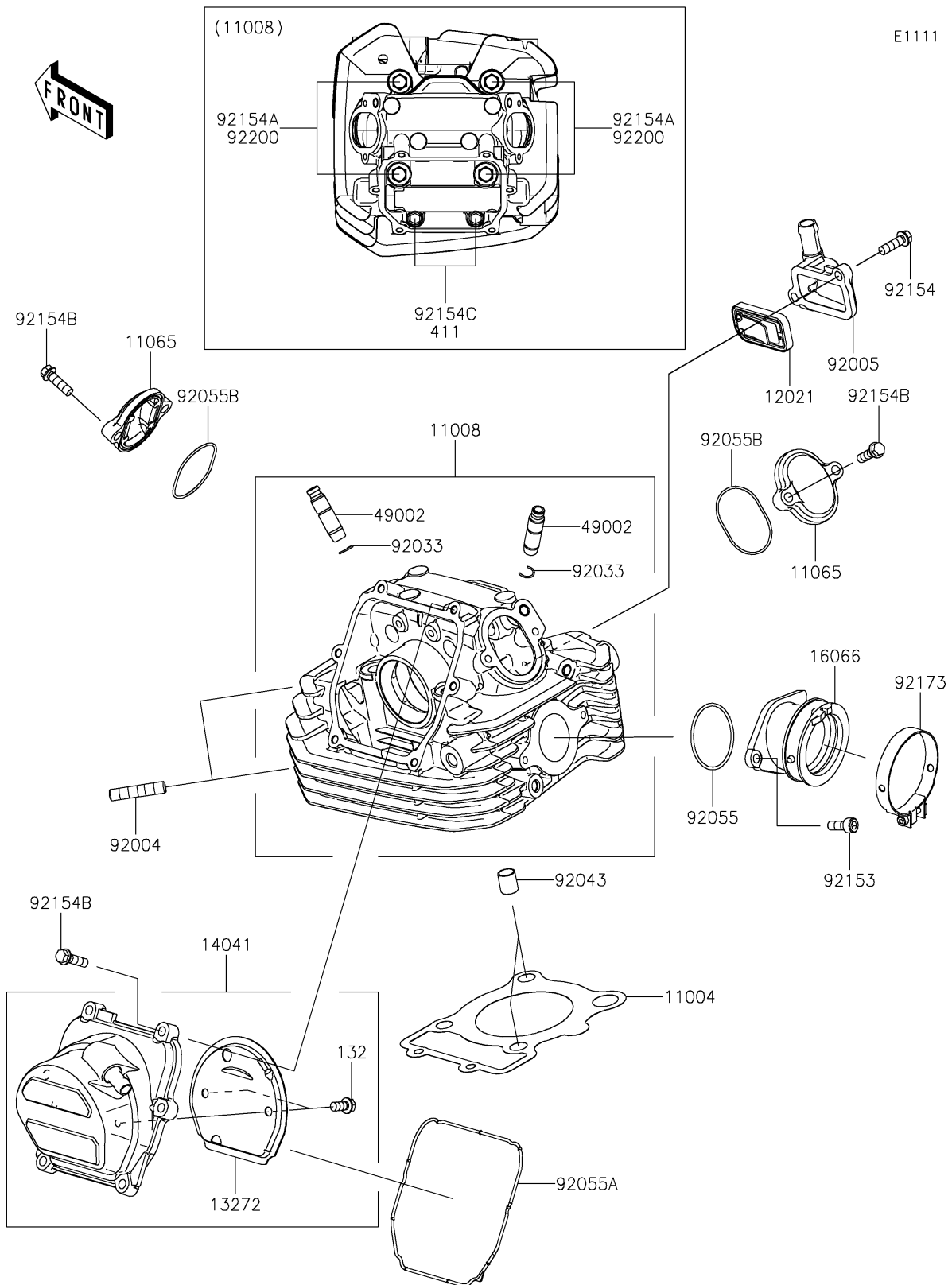


# 2026 KLX230R S

## PARTS DIAGRAM

### Cylinder Head



# 2026 KLX230R S

## PARTS LIST

### Cylinder Head

ITEM NAME	PART NUMBER	QUANTITY
GASKET-HEAD (Ref # 11004)	11004-0784	1
HEAD-COMP-CYLINDER (Ref # 11008)	11008-1542	1
CAP,VALVE,ADJUSTING (Ref # 11065)	11065-1411	2
VALVE-ASSY-REED (Ref # 12021)	12021-0050	1
PLATE (Ref # 13272)	13272-2616	1
COVER-COMP,CAM CHAIN (Ref # 14041)	14041-0619	1
HOLDER-THROTTLE BODY (Ref # 16066)	16066-0021	1
GUIDE-VALVE (Ref # 49002)	49002-0047	2
STUD,8X25 (Ref # 92004)	92004-0731	2
FITTING (Ref # 92005)	92005-0983	1
RING-SNAP (Ref # 92033)	92033-0789	2
PIN,10.1X12X14 (Ref # 92043)	92043-4009	2
RING-O,42X1.9 (Ref # 92055)	92055-0186	1
RING-O (Ref # 92055A)	92055-0897	1
RING-O,ADJUST CAP (Ref # 92055B)	92055-1655	2
BOLT,SOCKET,6X16 (Ref # 92153)	92153-1344	2
BOLT,FLANGED,6X20 (Ref # 92154)	92154-2757	2
BOLT,FLANGED,10X190 (Ref # 92154A)	92154-7052	4
BOLT,FLANGED,6X20 (Ref # 92154B)	92154-7209	10
BOLT,FLANGED,6X130 (Ref # 92154C)	92154-7468	2
CLAMP (Ref # 92173)	92173-2191	1
WASHER,10.5X19X2.3 (Ref # 92200)	92200-0257	4
BOLT-FLANGED-SMALL,6X12 (Ref # 132)	132BD0612	2
WASHER-PLAIN,6MM (Ref # 411)	411AA0600	2