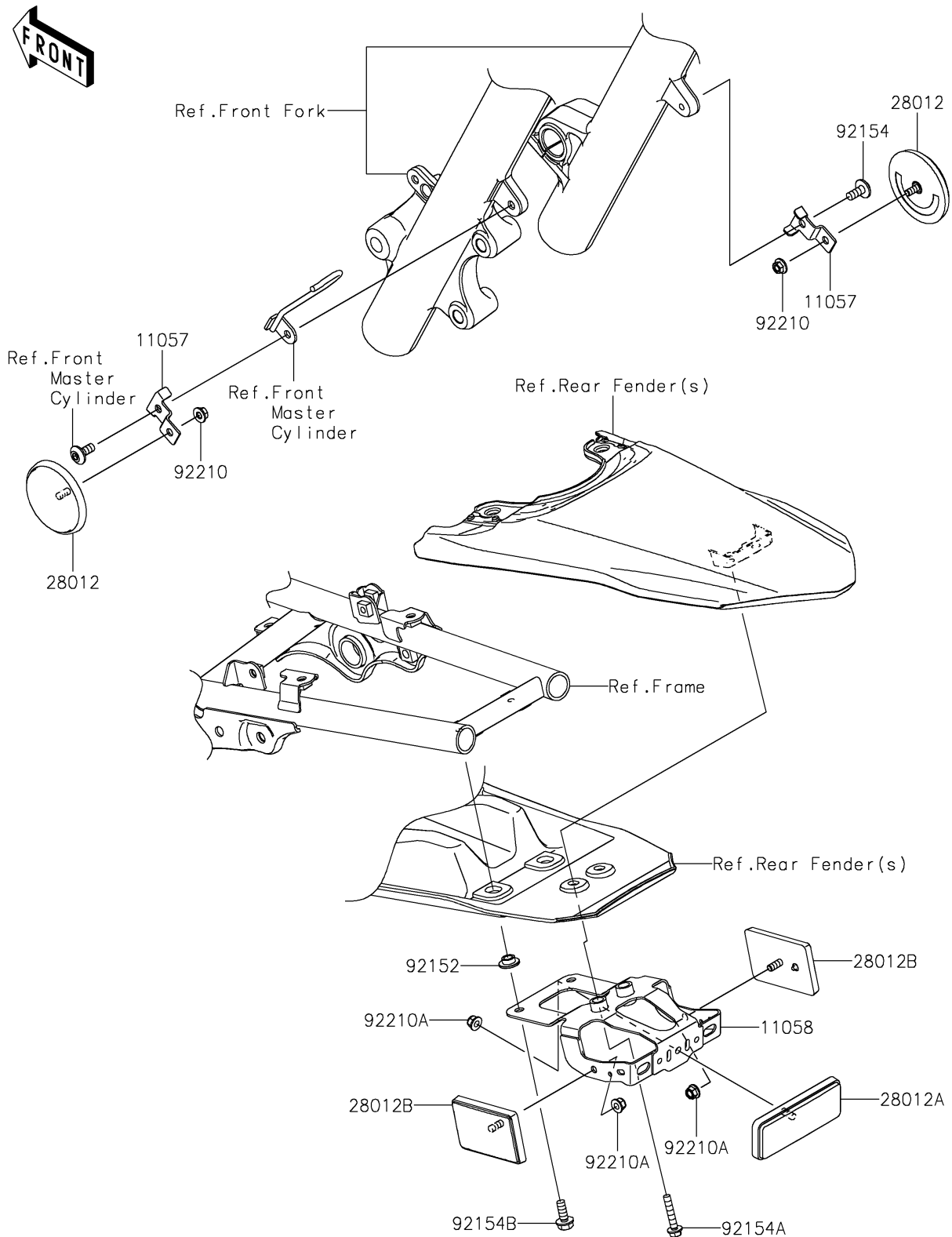


# 2026 KLX230R

## PARTS DIAGRAM

### Reflectors(CN)

F2790



# 2026 KLX230R

## PARTS LIST Reflectors(CN)

**ITEM NAME**

**PART NUMBER**

**QUANTITY**

---