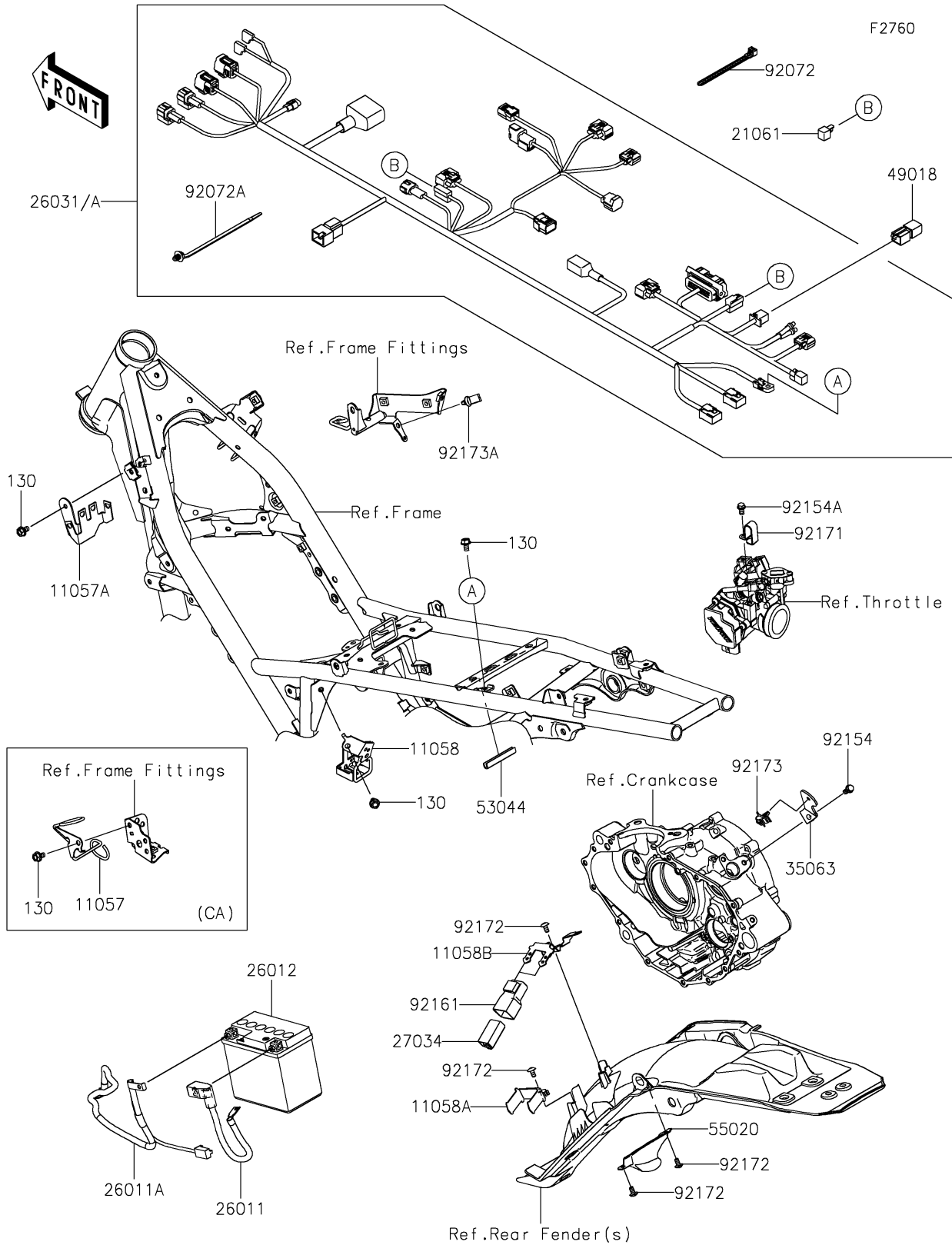


# 2025 KLX230R

## PARTS DIAGRAM

### Chassis Electrical Equipment



# 2025 KLX230R

## PARTS LIST

### Chassis Electrical Equipment

| ITEM NAME                              | PART NUMBER | QUANTITY |
|--|-------------|----------|
| BRACKET (Ref # 11057)                  | 11057-2463  | 1        |
| BRACKET (Ref # 11057A)                 | 11057-2539  | 1        |
| BRACKET (Ref # 11058)                  | 11058-1293  | 1        |
| BRACKET,MAGNETIC SWITCH (Ref # 11058A) | 11058-1331  | 1        |
| BRACKET,RELAY (Ref # 11058B)           | 11058-1333  | 1        |
| RECTIFIER (Ref # 21061)                | 21061-1003  | 2        |
| WIRE-LEAD,BATTERY(+) (Ref # 26011)     | 26011-2465  | 1        |
| WIRE-LEAD,BATTERY(-) (Ref # 26011A)    | 26011-2466  | 1        |
| BATTERY,YTX5L-BS,12V 4AH (Ref # 26012) | 26012-0905  | 1        |
| HARNESS,MAIN (Ref # 26031)             | 26031-4458  | 1        |
| HARNESS,MAIN (Ref # 26031A)            | 26031-4460  | 1        |
| RELAY (Ref # 27034)                    | 27034-0012  | 2        |
| STAY (Ref # 35063)                     | 35063-1476  | 1        |
| DIODE (Ref # 49018)                    | 49018-0005  | 1        |
| TRIM (Ref # 53044)                     | 53044-0565  | 1        |
| GUARD,O2 SENSOR (Ref # 55020)          | 55020-2526  | 1        |
| BAND,L=140 (Ref # 92072)               | 92072-0949  | 1        |
| BAND,OS170-FT7(BLACK) (Ref # 92072A)   | 92072-1414  | AR       |
| BOLT,FLANGED,6X12 (Ref # 92154)        | 92154-1776  | 1        |
| BOLT-FLANGED-SMALL,6X10 (Ref # 92154A) | 92154-4407  | 1        |
| DAMPER,RELAY (Ref # 92161)             | 92161-2546  | 2        |
| CLAMP (Ref # 92171)                    | 92171-0911  | 1        |
| SCREW,CROS,5X10 (Ref # 92172)          | 92172-1255  | 4        |
| CLAMP (Ref # 92173)                    | 92173-1163  | 1        |
| CLAMP (Ref # 92173A)                   | 92173-1951  | 1        |
| BOLT-FLANGED,6X10 (Ref # 130)          | 130BA0610   | 4        |
| BOLT-FLANGED,6X10 (Ref # 130)          | 130BA0610   | 3        |