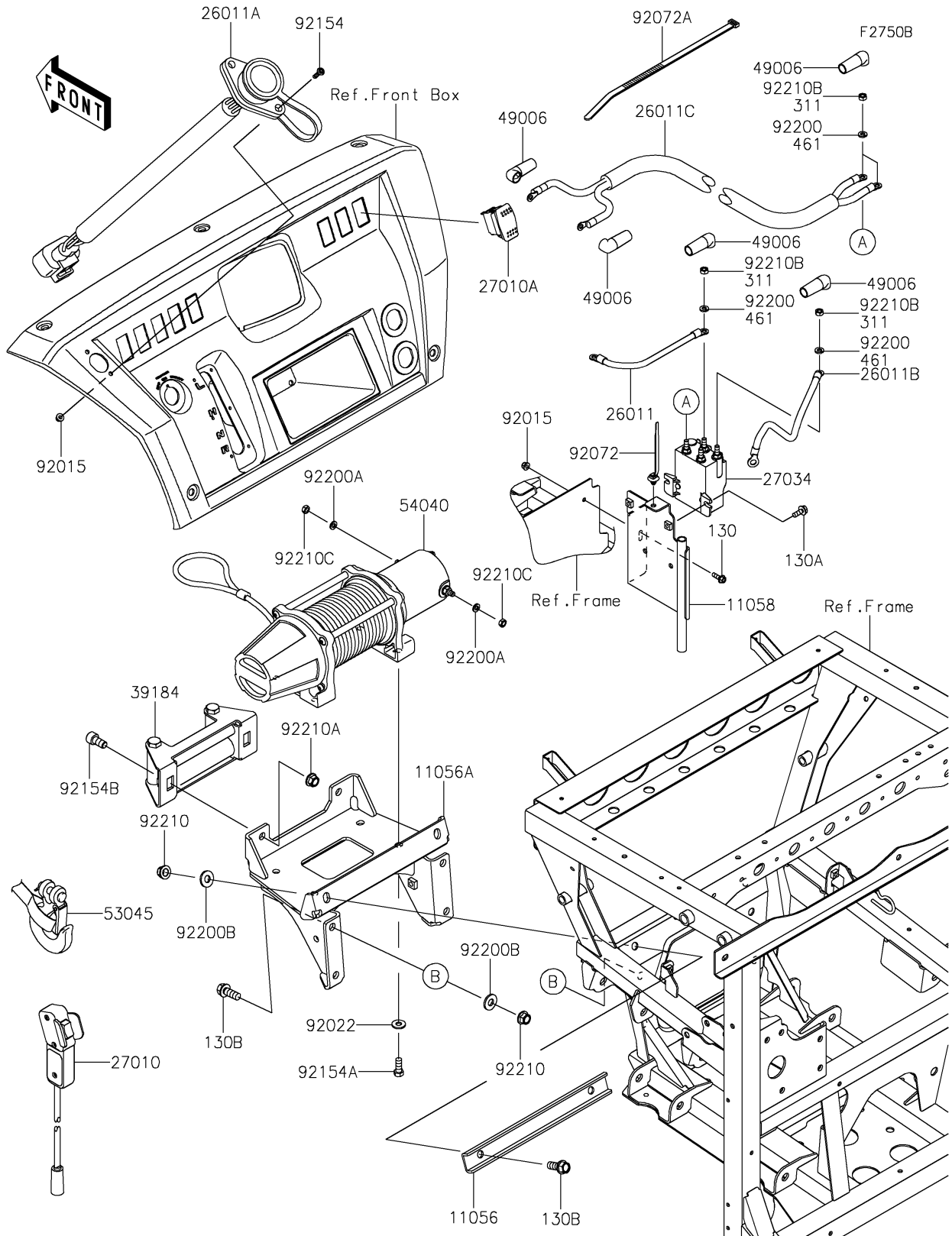


2026 MULE PRO-FXT 1000 LE Ranch Edition

PARTS DIAGRAM

Other(Winch)(CRFNN-CTFNL)



2026 MULE PRO-FXT 1000 LE Ranch Edition

Kawasaki
Let the Good Times Roll®

PARTS LIST

Other(Winch)(CRFNN-CTFNL)

| ITEM NAME | PART NUMBER | QUANTITY |
|----------------------------------------|-------------|----------|
| BRACKET (Ref # 11056) | 11056-4074 | 1 |
| BRACKET,WINCH (Ref # 11056A) | 11056-7783 | 1 |
| BRACKET (Ref # 11058) | 11058-0997 | 1 |
| WIRE-LEAD,RED (Ref # 26011) | 26011-0916 | 1 |
| WIRE-LEAD,REMOTE SWITCH (Ref # 26011A) | 26011-0935 | 1 |
| WIRE-LEAD,BLACK (Ref # 26011B) | 26011-0989 | 1 |
| WIRE-LEAD,BLUE/YELLOW (Ref # 26011C) | 26011-0990 | 1 |
| SWITCH,REMOTE (Ref # 27010) | 27010-0820 | 1 |
| SWITCH,CARLING (Ref # 27010A) | 27010-0821 | 1 |
| RELAY,CONTACTOR (Ref # 27034) | 27034-0008 | 1 |
| BRACKET-ASSY,FAIRLEAD (Ref # 39184) | 39184-0740 | 1 |
| BOOT (Ref # 49006) | 49006-0601 | 6 |
| HOOK-ASSY (Ref # 53045) | 53045-0028 | 1 |
| WINCH (Ref # 54040) | 54040-0008 | 1 |
| NUT,LOCK,FLANGED,5MM (Ref # 92015) | 92015-1752 | 3 |
| WASHER,8.2X19X2 (Ref # 92022) | 92022-1533 | 4 |
| BAND,OS170-FT7(BLACK) (Ref # 92072) | 92072-1414 | 1 |
| BAND,L=292.1 (Ref # 92072A) | 92072-3509 | 5 |
| BOLT,SOCKET,5X20 (Ref # 92154) | 92154-0829 | 2 |
| BOLT,8X20 (Ref # 92154A) | 92154-1876 | 4 |
| BOLT,SOCKET,10X20 (Ref # 92154B) | 92154-1877 | 2 |
| WASHER,6.4X12X1.8 (Ref # 92200A) | 92200-2358 | 2 |
| WASHER,10.2X23X2.5 (Ref # 92200B) | 92200-7506 | 6 |
| NUT,LOCK,FLANGED,10MM (Ref # 92210) | 92210-1080 | 6 |
| NUT,LOCK,M10 (Ref # 92210A) | 92210-1432 | 2 |
| NUT,6MM (Ref # 92210C) | 92210-1792 | 2 |
| BOLT-FLANGED,5X16 (Ref # 130) | 130BA0516 | 1 |
| BOLT-FLANGED,6X16 (Ref # 130A) | 130BA0616 | 2 |
| BOLT-FLANGED,10X25 (Ref # 130B) | 130BB1025 | 6 |

2026 MULE PRO-FXT 1000 LE Ranch Edition



PARTS LIST

Other(Winch)(CRFNN-CTFNL)

| ITEM NAME | PART NUMBER | QUANTITY |
|-------------------------------|-------------|----------|
| NUT-HEX,6MM (Ref # 311) | 311BA0600 | 4 |
| WASHER-SPRING,6MM (Ref # 461) | 461DA0600 | 4 |