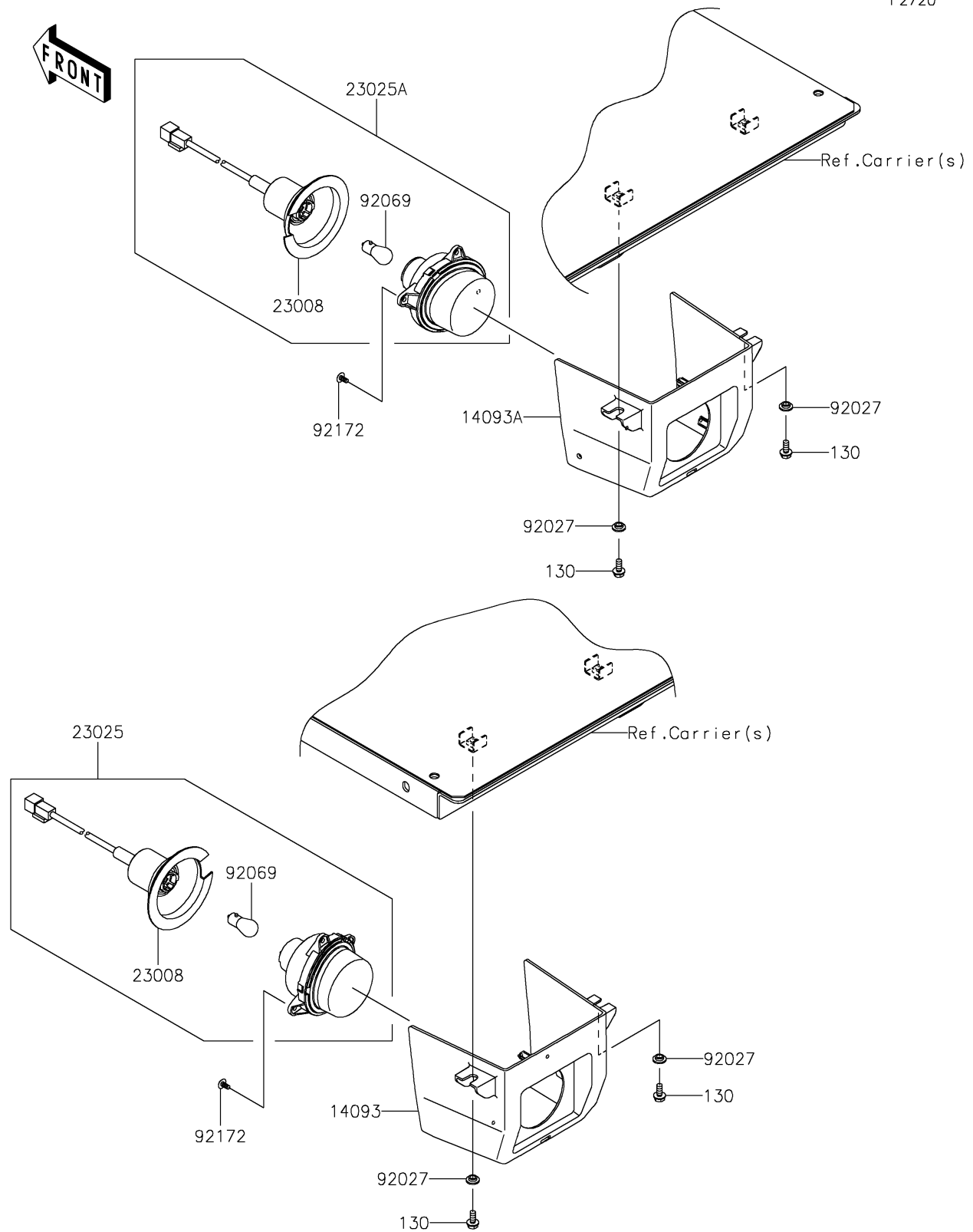


# 2026 MULE PRO-FXT 1000 LE Ranch Edition

## PARTS DIAGRAM

### Taillight(s)

F2720



# 2026 MULE PRO-FXT 1000 LE Ranch Edition



## PARTS LIST

Taillight(s)

ITEM NAME	PART NUMBER	QUANTITY
-----------	-------------	----------

---