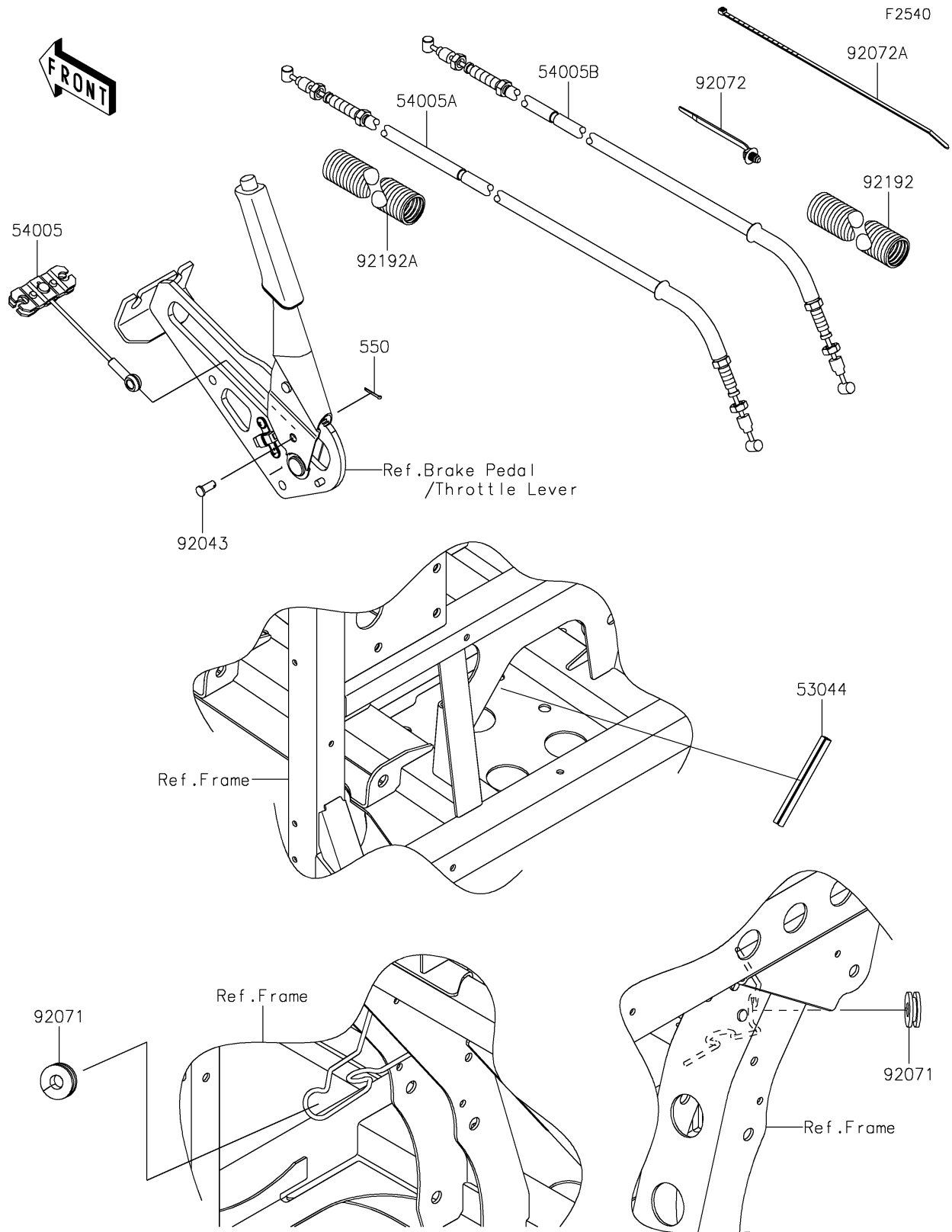


2025 MULE PRO-FXT 1000 LE Ranch Edition

PARTS DIAGRAM

Cables



2025 MULE PRO-FXT 1000 LE Ranch Edition



PARTS LIST

Cables

ITEM NAME	PART NUMBER	QUANTITY
-----------	-------------	----------
