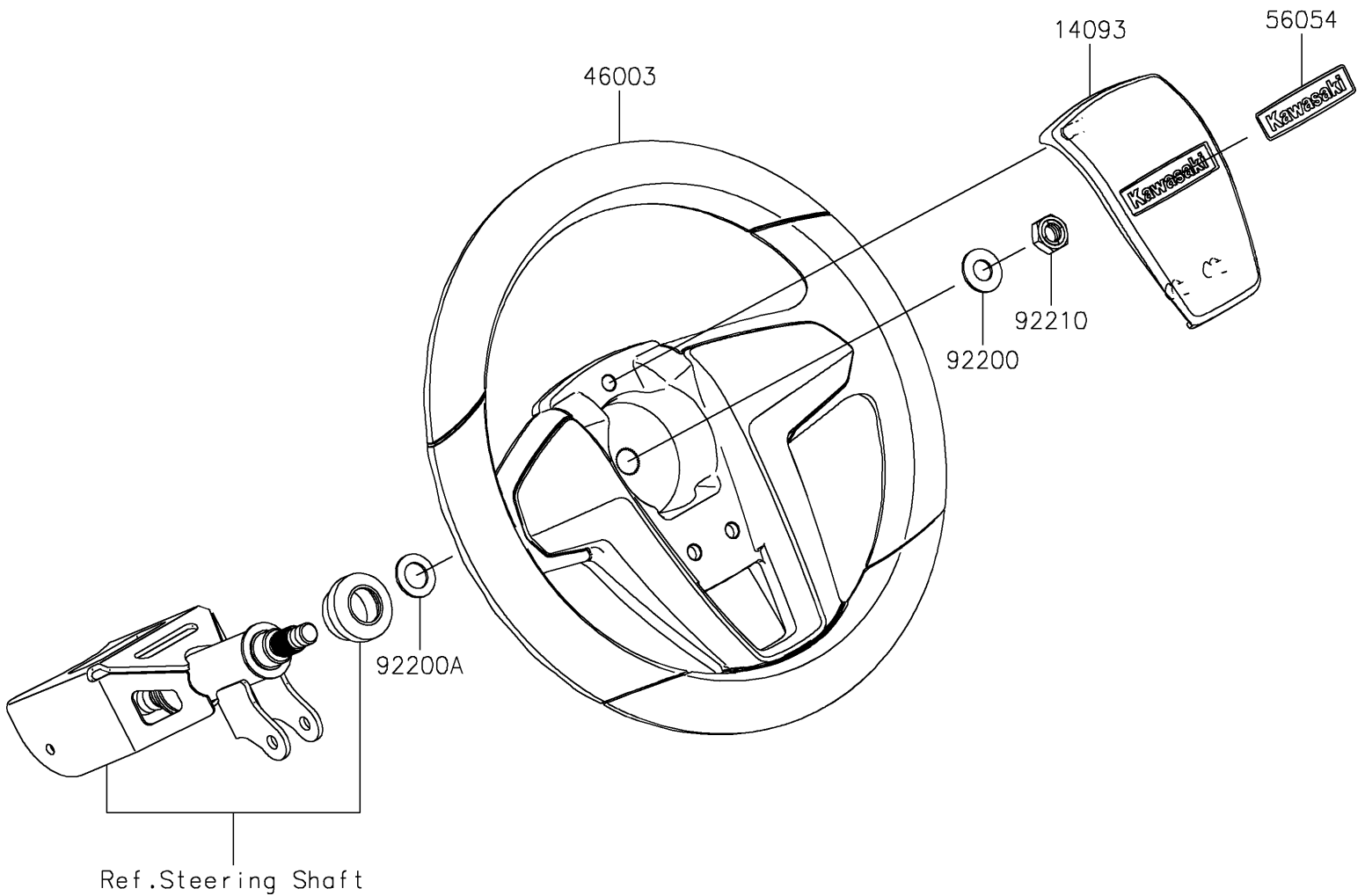


2024 MULE PRO-FXT 1000 LE Ranch Edition

PARTS DIAGRAM

Steering Wheel

F2311



2024 MULE PRO-FXT 1000 LE Ranch Edition



PARTS LIST

Steering Wheel

ITEM NAME	PART NUMBER	QUANTITY
-----------	-------------	----------