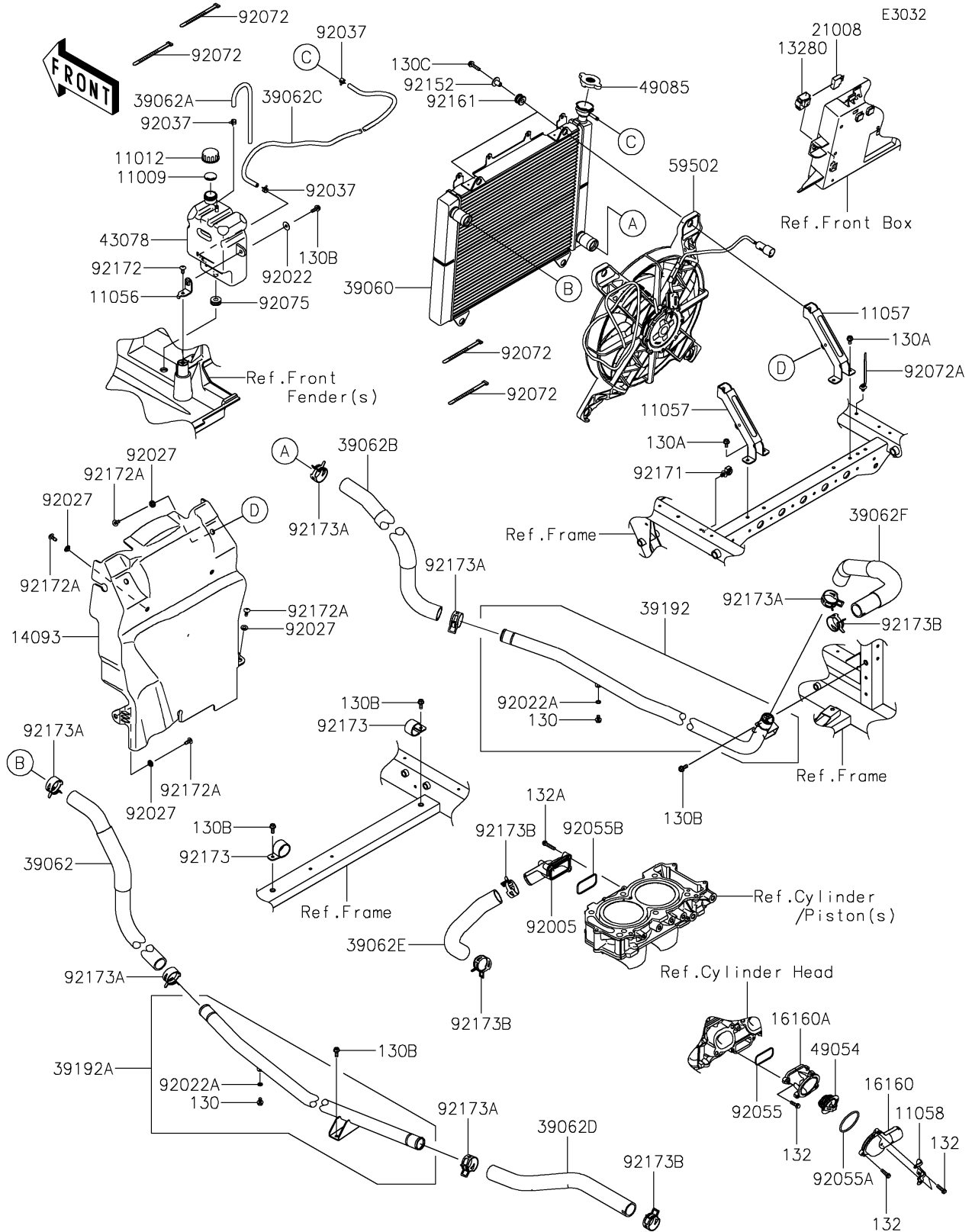


# 2025 MULE PRO-FXT 1000 LE Ranch Edition

## PARTS DIAGRAM

### Radiator



# 2025 MULE PRO-FXT 1000 LE Ranch Edition



## PARTS LIST Radiator

| ITEM NAME | PART NUMBER | QUANTITY |
|-----------|-------------|----------|
|-----------|-------------|----------|

---