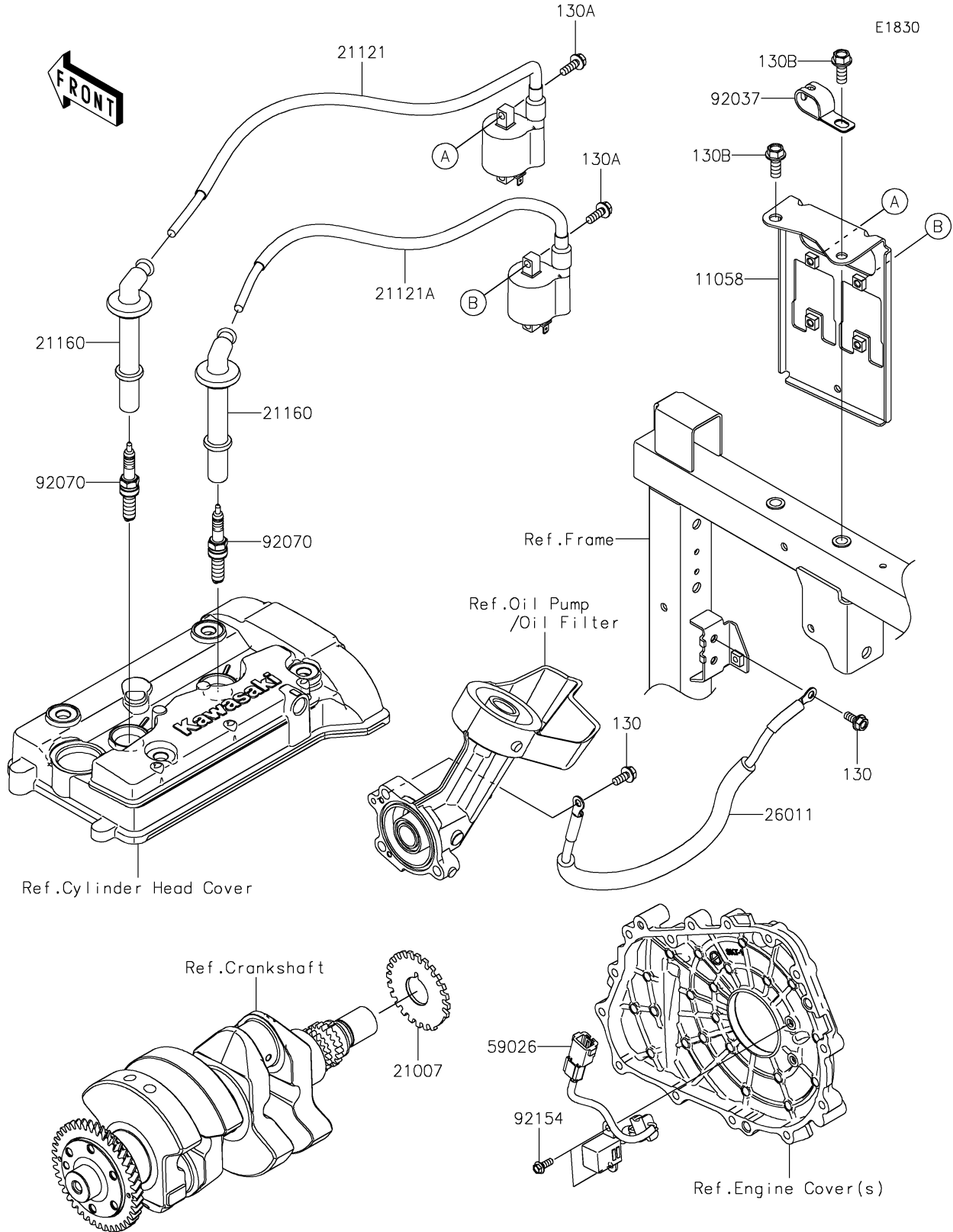


# 2024 MULE PRO-FXT 1000 LE Ranch Edition

## PARTS DIAGRAM Ignition System



# 2024 MULE PRO-FXT 1000 LE Ranch Edition



## PARTS LIST Ignition System

ITEM NAME	PART NUMBER	QUANTITY
-----------	-------------	----------

---