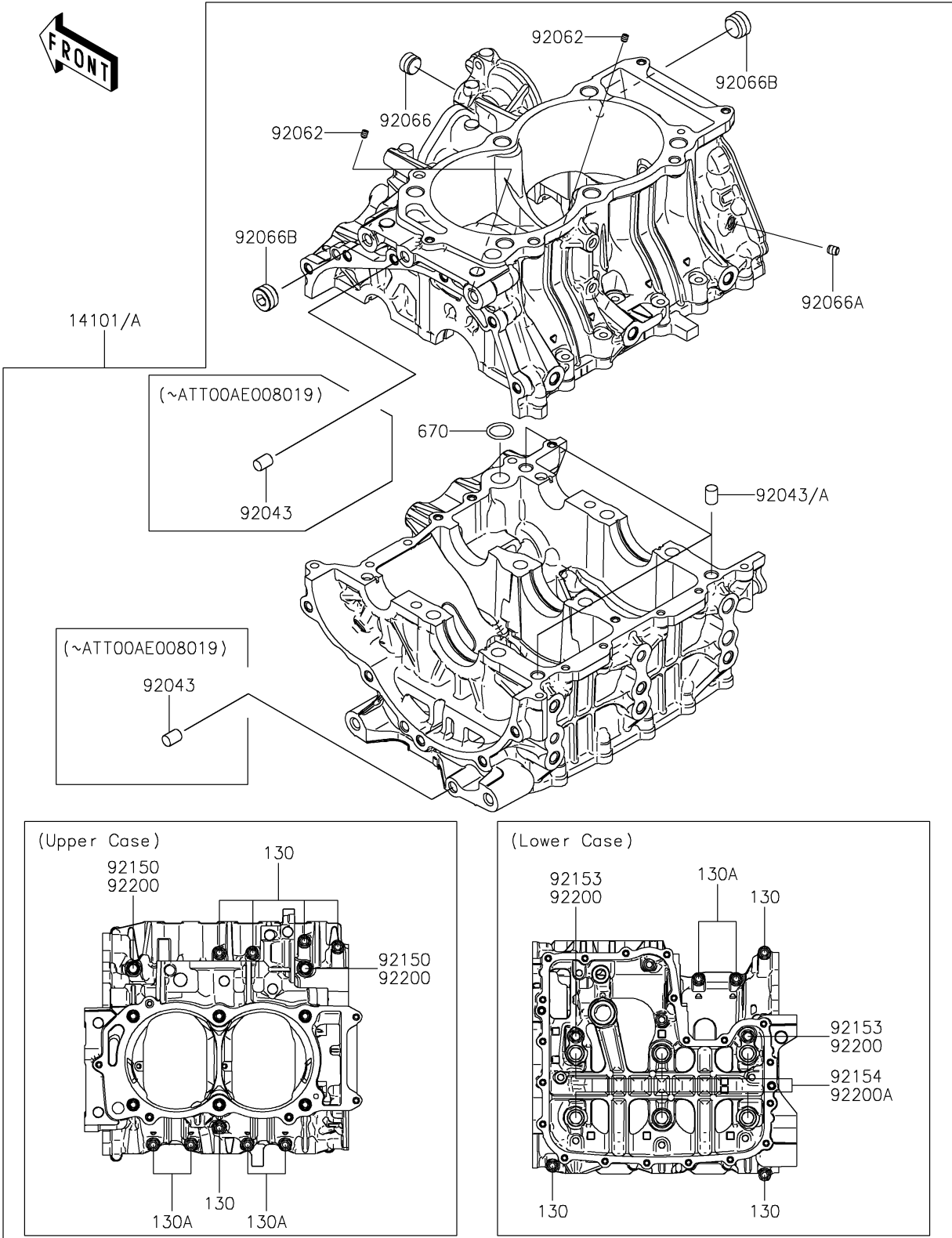


2025 MULE PRO-FXT 1000 LE Ranch Edition

PARTS DIAGRAM

Crankcase

E1411



2025 MULE PRO-FXT 1000 LE Ranch Edition



PARTS LIST

Crankcase

| ITEM NAME | PART NUMBER | QUANTITY |
|-----------|-------------|----------|
|-----------|-------------|----------|
