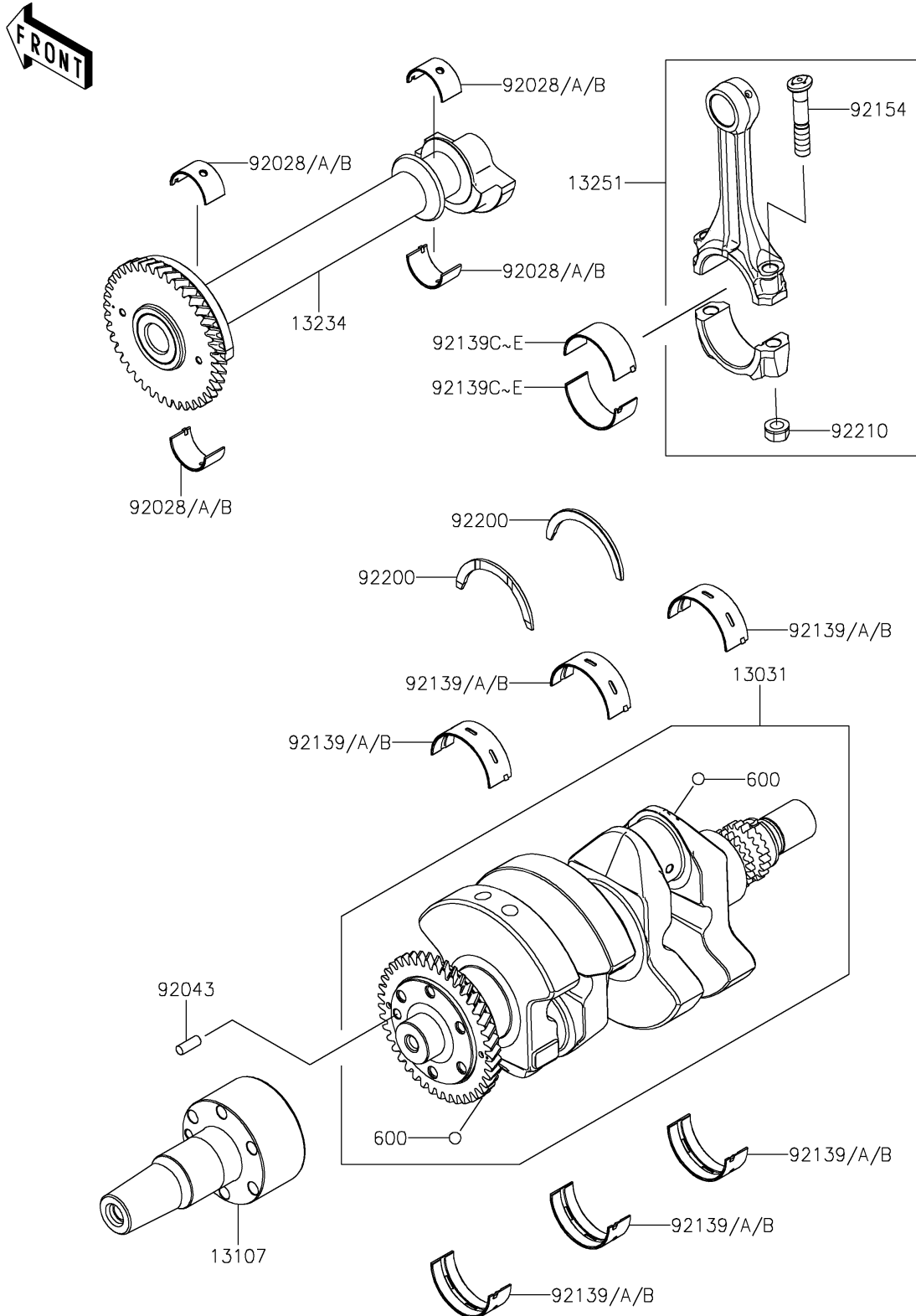


2025 MULE PRO-FXT 1000 LE Ranch Edition

PARTS DIAGRAM

Crankshaft

E1321



2025 MULE PRO-FXT 1000 LE Ranch Edition

PARTS LIST

Crankshaft

ITEM NAME	PART NUMBER	QUANTITY
CRANKSHAFT-COMP (Ref # 13031)	13031-1531	1
SHAFT,CONVERTER-DRIVE (Ref # 13107)	13107-0982	1
SHAFT-COMP,BALANCER (Ref # 13234)	13234-0633	1
ROD-ASSY-CONNECTING,H (Ref # 13251)	13251-0765-HH	2
BUSHING,BALANCER SHAFT,BLUE (Ref # 92028)	92028-1909	4
BUSHING,BALANCER SHAFT,BLACK (Ref # 92028A)	92028-1910	AR
BUSHING,BALANCER SHAFT,BROWN (Ref # 92028B)	92028-1911	AR
PIN,6X16 (Ref # 92043)	92043-1690	1
BUSHING,CRANKSHAFT,BLUE (Ref # 92139)	92139-0925	6
BUSHING,CRANKSHAFT,BLACK (Ref # 92139A)	92139-0926	AR
BUSHING,CRANKSHAFT,BROWN (Ref # 92139B)	92139-0927	AR
BUSHING,CONNECTING ROD,BLUE (Ref # 92139C)	92139-1197	4
BUSHING,CONNECTING ROD,BLACK (Ref # 92139D)	92139-1198	AR
BUSHING,CONNECTING ROD,BROWN (Ref # 92139E)	92139-1199	AR
BOLT,CONNECTING ROD (Ref # 92154)	92154-3911	4
WASHER,THRUST,T=2.5 (Ref # 92200)	92200-2242	2
NUT,FLANGED,9MM (Ref # 92210)	92210-1673	4
BALL-STEEL,11/32 (Ref # 600)	600A1100	2