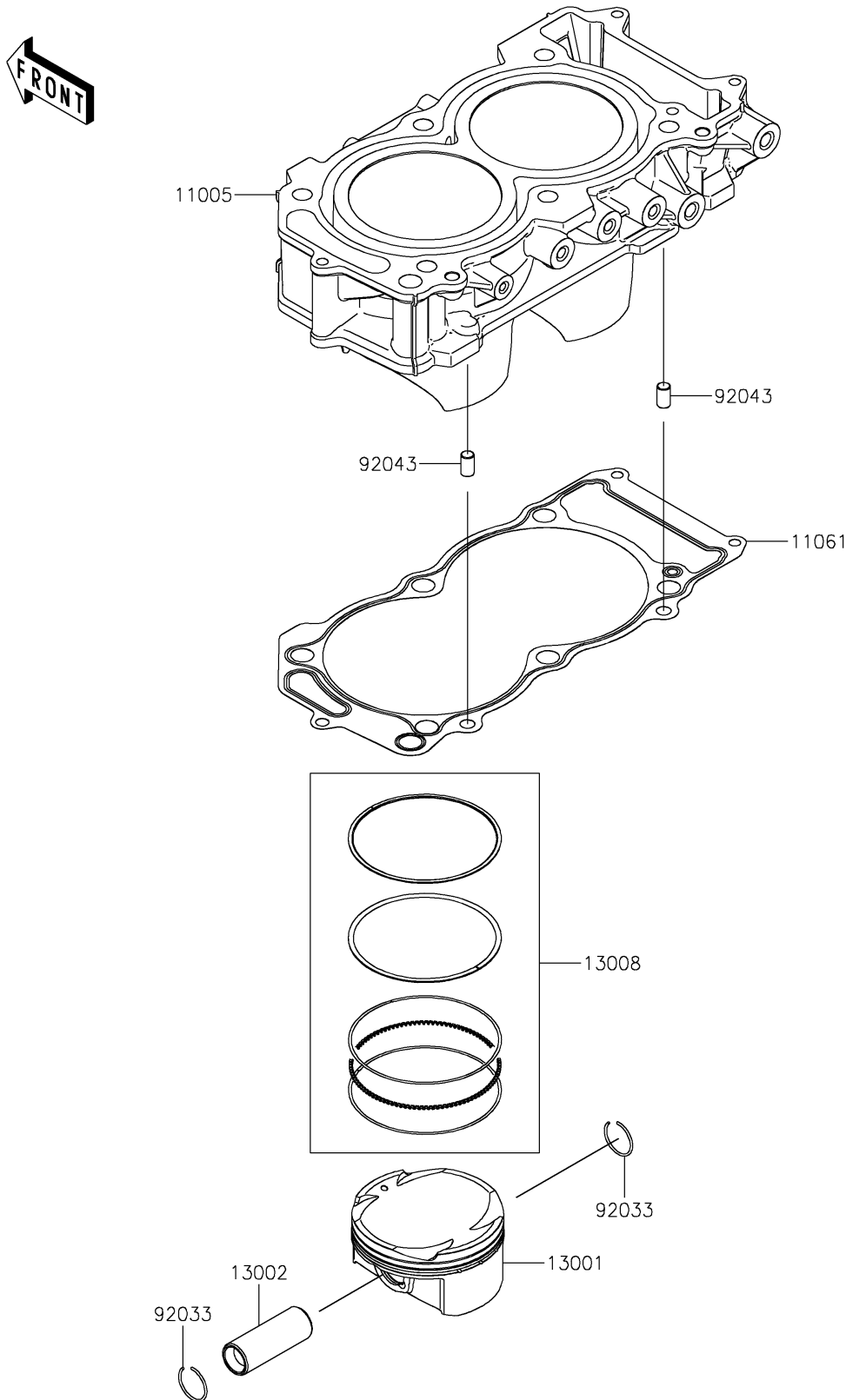


2024 MULE PRO-FXT 1000 LE Ranch Edition

PARTS DIAGRAM Cylinder/Piston(s)

E1120



2024 MULE PRO-FXT 1000 LE Ranch Edition



PARTS LIST Cylinder/Piston(s)

ITEM NAME	PART NUMBER	QUANTITY
-----------	-------------	----------
