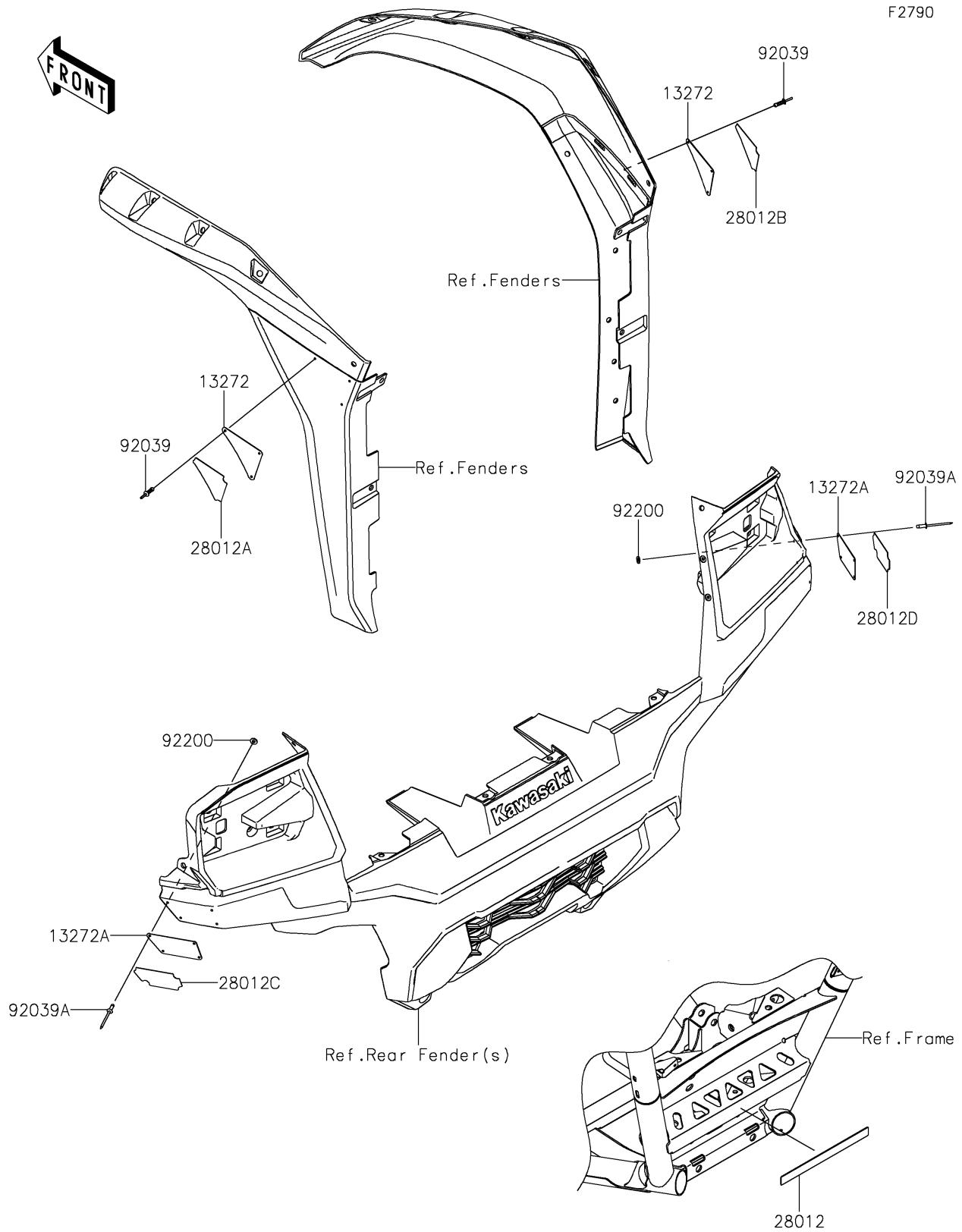


2026 TERYX® KRX4™ 1000

PARTS DIAGRAM

Reflectors(CN)

F2790



2026 TERYX® KRX4™ 1000

PARTS LIST

Reflectors(CN)

ITEM NAME	PART NUMBER	QUANTITY
PLATE,FR (Ref # 13272)	13272-2880	2
PLATE,RR (Ref # 13272A)	13272-2881	2
REFLECTOR-REFLEX,RR (Ref # 28012)	28012-0015	1
REFLECTOR-REFLEX,FR,LH (Ref # 28012A)	28012-0047	1
REFLECTOR-REFLEX,FR,RH (Ref # 28012B)	28012-0048	1
REFLECTOR-REFLEX,RR,LH (Ref # 28012C)	28012-0049	1
REFLECTOR-REFLEX,RR,RH (Ref # 28012D)	28012-0050	1
RIVET,3.2X14.2 (Ref # 92039)	92039-0744	6
RIVET,3.2X8 (Ref # 92039A)	92039-3763	8
WASHER,3.5X8X1 (Ref # 92200)	92200-1251	8