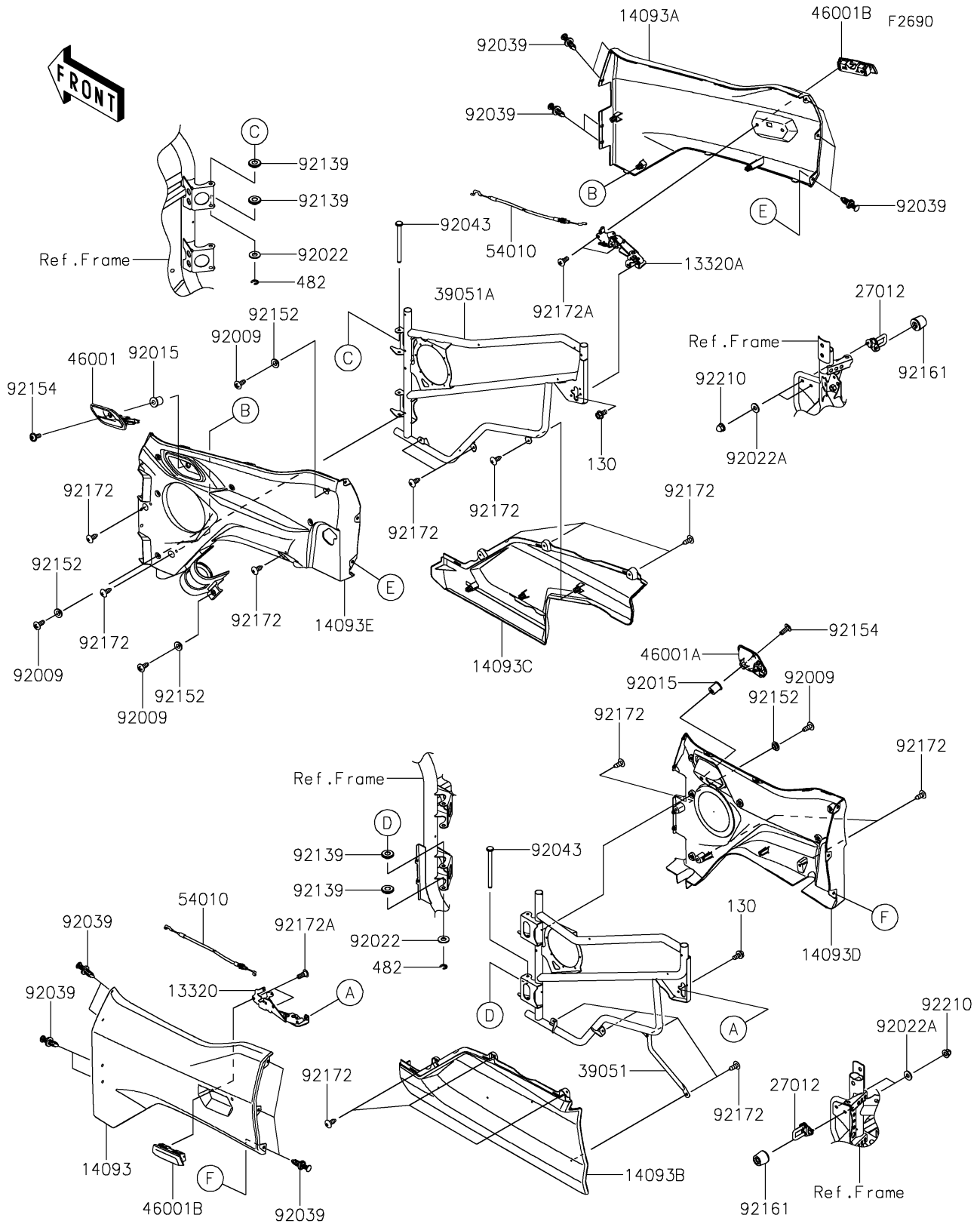


2026 TERYX® KRX4™ 1000

PARTS DIAGRAM

Door(Front)



2026 TERYX® KRX4™ 1000

PARTS LIST

Door(Front)

| ITEM NAME | PART NUMBER | QUANTITY |
|--|----------------|----------|
| LEVER-ASSY,LATCH,LH (Ref # 13320) | 13320-0585 | 1 |
| LEVER-ASSY,LATCH,RH (Ref # 13320A) | 13320-0586 | 1 |
| COVER,DOOR,LH,UPP,S.BLACK (Ref # 14093) | 14093-0814-839 | 1 |
| COVER,DOOR,RH,UPP,S.BLACK (Ref # 14093A) | 14093-0815-839 | 1 |
| COVER,DOOR,LH,LWR (Ref # 14093B) | 14093-0816 | 1 |
| COVER,DOOR,RH,LWR (Ref # 14093C) | 14093-0817 | 1 |
| COVER,DOOR,LH,INNER (Ref # 14093D) | 14093-0851 | 1 |
| COVER,DOOR,RH,INNER (Ref # 14093E) | 14093-0852 | 1 |
| HOOK,DOOR (Ref # 27012) | 27012-0860 | 2 |
| FRAME-COMP-SIDE,LH (Ref # 39051) | 39051-0023 | 1 |
| FRAME-COMP-SIDE,RH (Ref # 39051A) | 39051-0024 | 1 |
| HANDLE-ASSY,DOOR,RH,INNER (Ref # 46001) | 46001-0015 | 1 |
| HANDLE-ASSY,DOOR,LH,INNER (Ref # 46001A) | 46001-0016 | 1 |
| HANDLE-ASSY,DOOR,OUTER (Ref # 46001B) | 46001-0017 | 2 |
| CABLE (Ref # 54010) | 54010-0651 | 2 |
| SCREW,TAPPING,6X16 (Ref # 92009) | 92009-1166 | 13 |
| NUT (Ref # 92015) | 92015-1700 | 2 |
| WASHER,8.2X18X1.5 (Ref # 92022) | 92022-1964 | 4 |
| WASHER,6.5X16X1.6 (Ref # 92022A) | 92022-2247 | 4 |
| RIVET (Ref # 92039) | 92039-0865 | 14 |
| PIN,DOOR (Ref # 92043) | 92043-1801 | 4 |
| BUSHING,DOOR (Ref # 92139) | 92139-1215 | 8 |
| COLLAR,6.3X9.5X4.1 (Ref # 92152) | 92152-1571 | 13 |
| BOLT,SOCKET,6X16 (Ref # 92154) | 92154-4068 | 2 |
| DAMPER,9X28X24.3 (Ref # 92161) | 92161-1456 | 2 |
| SCREW,6X16 (Ref # 92172) | 92172-0284 | 19 |
| SCREW,6X16 (Ref # 92172A) | 92172-1333 | 4 |
| NUT,CAP,6MM (Ref # 92210) | 92210-0003 | 4 |
| BOLT-FLANGED,6X12 (Ref # 130) | 130CA0612 | 4 |

2026 TERYX[®] KRX4[™] 1000

PARTS LIST

Door(Front)

| ITEM NAME | PART NUMBER | QUANTITY |
|--------------------------------|-------------|----------|
| CIRCLIP-TYPE-E,6MM (Ref # 482) | 482J6000 | 4 |