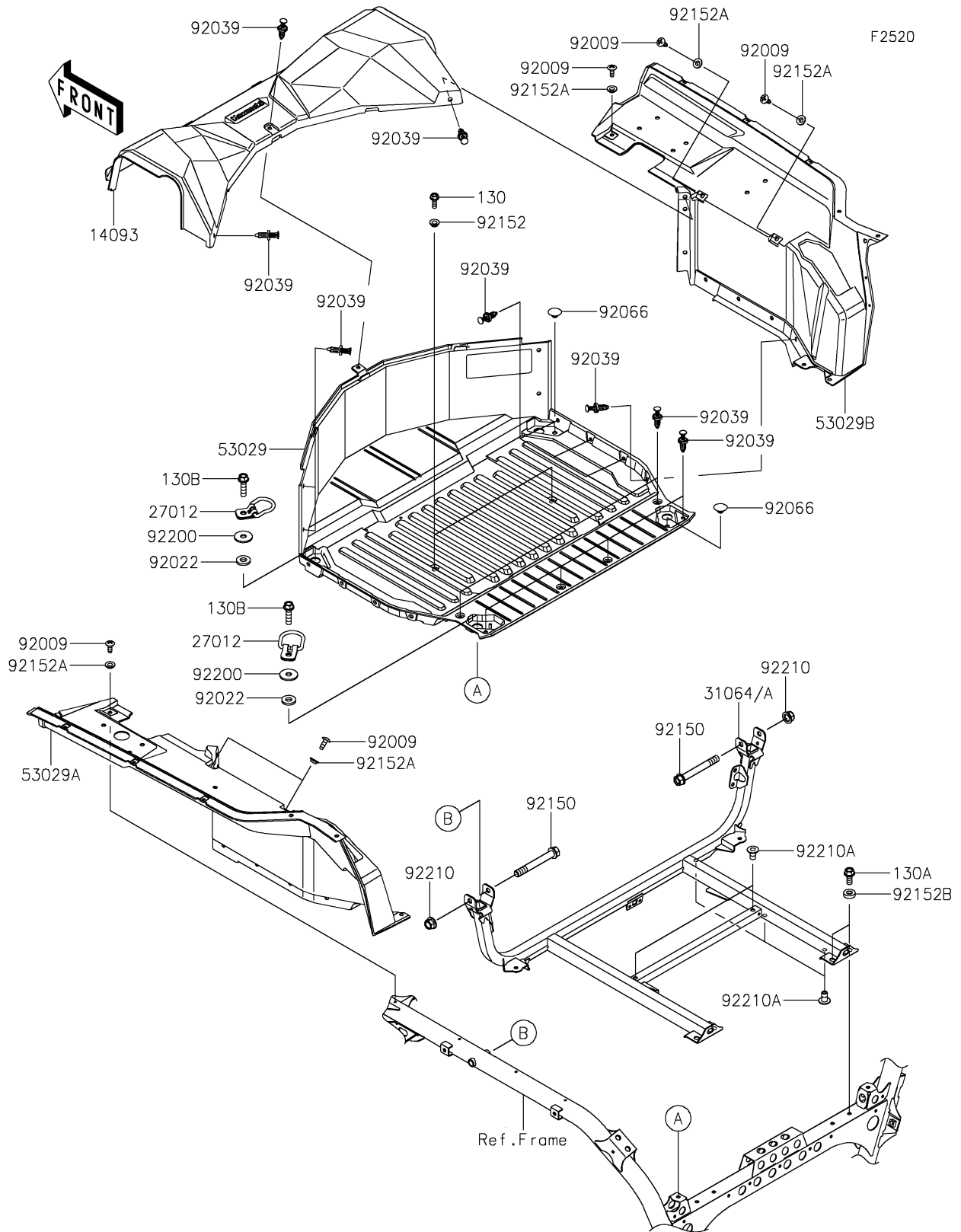


# 2025 TERYX® KRX4™ 1000

## PARTS DIAGRAM

Carrier(s)



# 2025 TERYX® KRX4™ 1000

## PARTS LIST

Carrier(s)



ITEM NAME	PART NUMBER	QUANTITY
-----------	-------------	----------

---