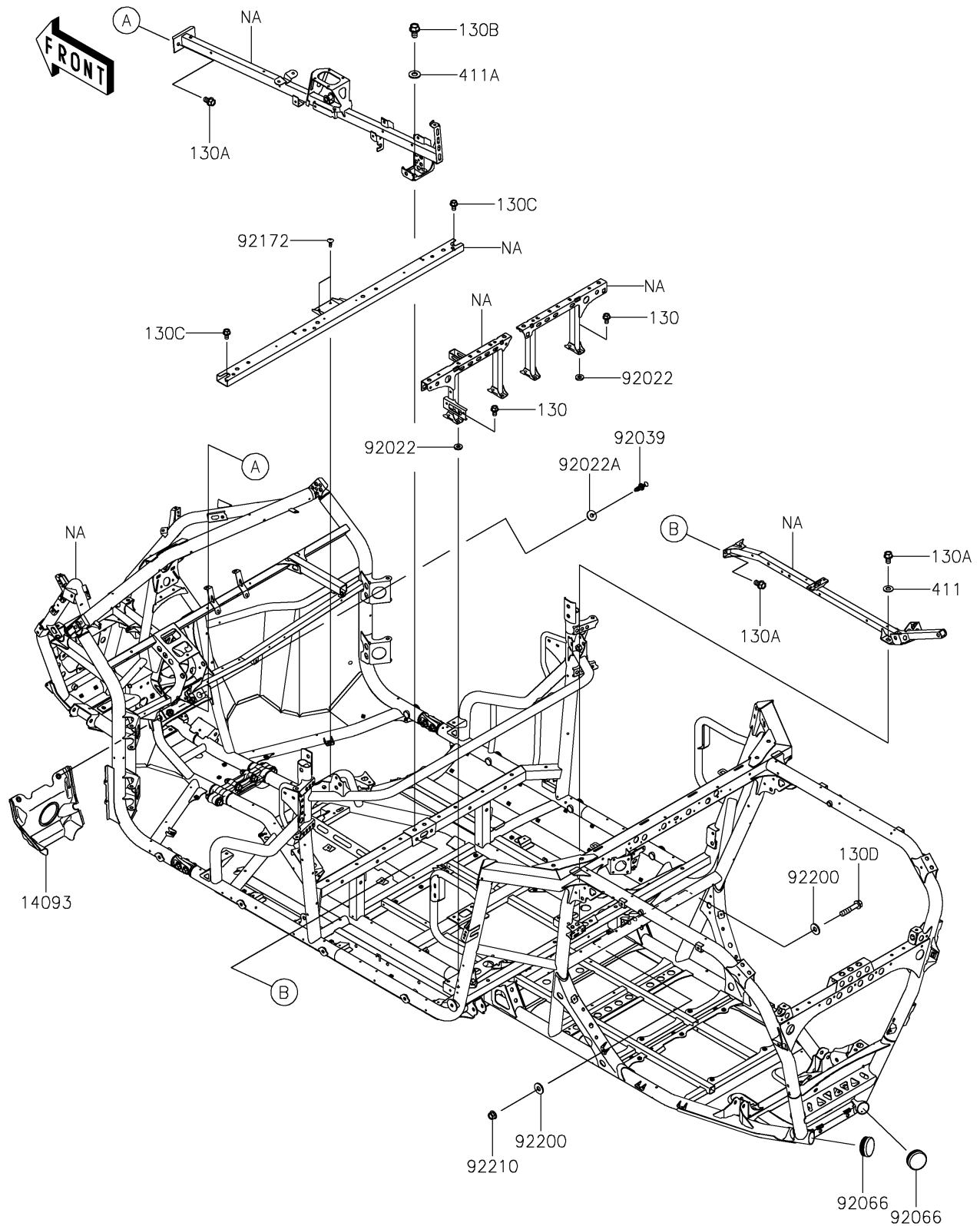


2026 TERYX® KRX4™ 1000

PARTS DIAGRAM

Frame

F2120



2026 TERYX® KRX4™ 1000

PARTS LIST

Frame

ITEM NAME	PART NUMBER	QUANTITY
COVER,PROPELLER SHAFT (Ref # 14093)	14093-1009	1
WASHER (Ref # 92022)	92022-2124	8
WASHER,8.4X23X2.5 (Ref # 92022A)	92022-3744	2
RIVET (Ref # 92039)	92039-0865	2
PLUG,RR END (Ref # 92066)	92066-0926	2
SCREW,TAPPING,6X16 (Ref # 92172)	92172-0739	2
WASHER,11X26X2.6 (Ref # 92200)	92200-0352	2
NUT,LOCK,FLANGED,10MM (Ref # 92210)	92210-0276	1
BOLT-FLANGED,8X14 (Ref # 130)	130BA0814	8
BOLT-FLANGED,10X16 (Ref # 130A)	130BA1016	6
BOLT-FLANGED,12X20 (Ref # 130B)	130BA1220	2
BOLT-FLANGED,8X14 (Ref # 130C)	130CA0814	2
BOLT-FLANGED,10X50 (Ref # 130D)	130CA1050	1
WASHER-PLAIN,10MM (Ref # 411)	411AA1000	2
WASHER-PLAIN,12MM (Ref # 411A)	411AA1200	2