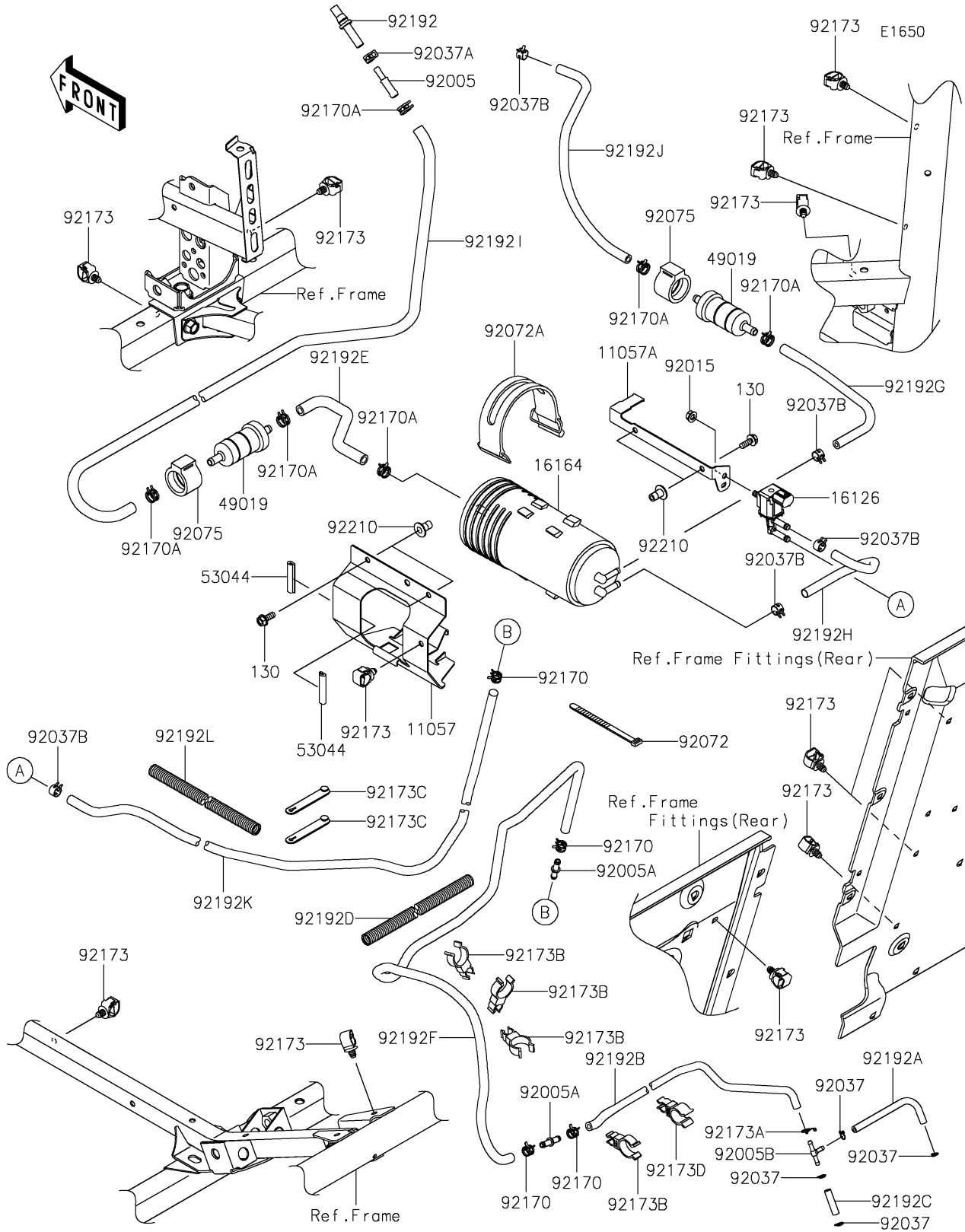


# 2025 TERYX® KRX4™ 1000

## PARTS DIAGRAM

### Fuel Evaporative System(CA)



# 2025 TERYX® KRX4™ 1000

## PARTS LIST

### Fuel Evaporative System(CA)

ITEM NAME	PART NUMBER	QUANTITY
BRACKET,CANISTER HOLDER (Ref # 11057)	11057-7673	1
BRACKET,PURGE VALVE (Ref # 11057A)	11057-7674	1
VALVE,SOLENOID (Ref # 16126)	16126-0705	1
CANISTER (Ref # 16164)	16164-0016	1
FILTER-FUEL (Ref # 49019)	49019-0032	2
TRIM,L=40 (Ref # 53044)	53044-1320	2
FITTING (Ref # 92005)	92005-0720	1
FITTING (Ref # 92005A)	92005-0721	2
FITTING (Ref # 92005B)	92005-1380	1
NUT,FLANGED,6MM (Ref # 92015)	92015-1367	1
CLAMP,TUBE (Ref # 92037)	92037-1124	4
CLAMP,TUBE (Ref # 92037A)	92037-1461	1
CLAMP (Ref # 92037B)	92037-2113	5
BAND,L=149 (Ref # 92072)	92072-031	1
BAND,L=168 (Ref # 92072A)	92072-1306	1
DAMPER,FUEL FILTER (Ref # 92075)	92075-1853	2
CLAMP (Ref # 92170)	92170-1493	4
CLAMP (Ref # 92170A)	92170-2082	6
CLAMP,12MM DIA. (Ref # 92173)	92173-0736	12
CLAMP (Ref # 92173A)	92173-1568	1
CLAMP,CLIP (Ref # 92173B)	92173-2000	4
CLAMP (Ref # 92173C)	92173-2199	2
CLAMP (Ref # 92173D)	92173-2287	1
TUBE,FRAME PIPE-CHECK VALVE (Ref # 92192)	92192-0068	1
TUBE,3.5X7.5X125 (Ref # 92192A)	92192-1497	1
TUBE,L=450 (Ref # 92192B)	92192-1612	1
TUBE,THROTTLE BODY (Ref # 92192C)	92192-1992	1
TUBE,CONVOLUTED,10.7X14.1X170 (Ref # 92192D)	92192-2293	1
TUBE,FILTER-CANISTER (Ref # 92192E)	92192-2571	1

# 2025 TERYX® KRX4™ 1000

## PARTS LIST

### Fuel Evaporative System(CA)

ITEM NAME	PART NUMBER	QUANTITY
TUBE,PURGE VALVE-THROTTLE BODY (Ref # 92192F)	92192-2572	1
TUBE,FILTER-CANISTER (Ref # 92192G)	92192-2573	1
TUBE,CANISTER-PURGE VALVE (Ref # 92192H)	92192-2574	1
TUBE,AIR BREATHER (Ref # 92192I)	92192-2575	1
TUBE,CHECK VALVE-FILTER (Ref # 92192J)	92192-2576	1
TUBE,PURGE VALVE-THROTTLE BODY (Ref # 92192K)	92192-2592	1
TUBE,CONVOLUTED,10.7X14.1X530 (Ref # 92192L)	92192-2593	1
NUT,LARGE FLANGE,6MM,L=16.5 (Ref # 92210)	92210-1623	4
BOLT-FLANGED,6X16 (Ref # 130)	130BA0616	4