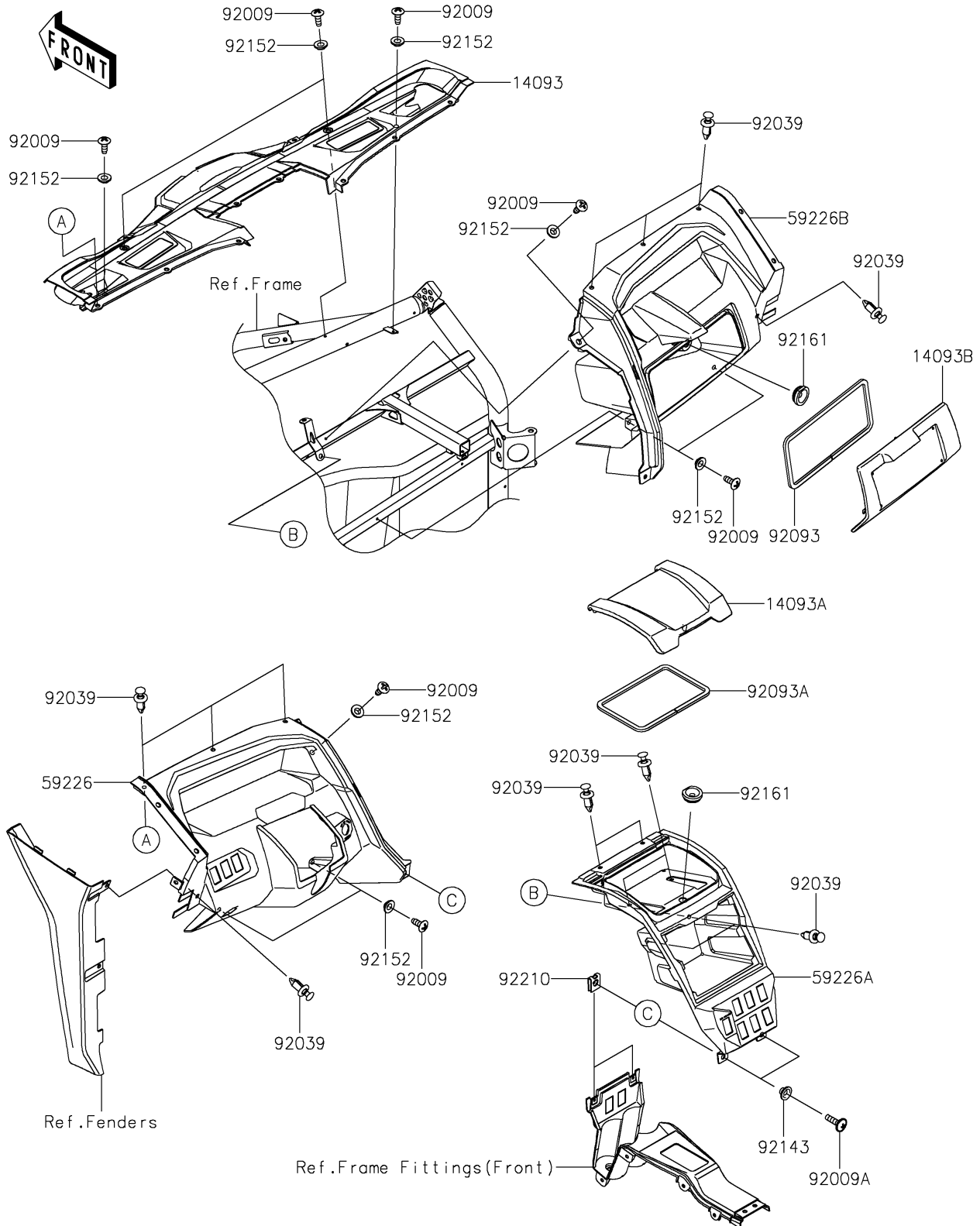


2025 Teryx KRX 1000

PARTS DIAGRAM

Front Box

F2135



2025 Teryx KRX 1000

PARTS LIST

Front Box

| ITEM NAME | PART NUMBER | QUANTITY |
|----------------------------------|-------------|----------|
| COVER (Ref # 14093) | 14093-0829 | 1 |
| COVER,STORAGE,UPP (Ref # 14093A) | 14093-0831 | 1 |
| COVER,STORAGE,LWR (Ref # 14093B) | 14093-0832 | 1 |
| PANEL-CONTROL,LH (Ref # 59226) | 59226-0745 | 1 |
| PANEL-CONTROL,CNT (Ref # 59226A) | 59226-0755 | 1 |
| PANEL-CONTROL,RH (Ref # 59226B) | 59226-0757 | 1 |
| SCREW,TAPPING,6X16 (Ref # 92009) | 92009-1166 | 10 |
| SCREW,6X22,BLACK (Ref # 92009A) | 92009-1256 | 2 |
| RIVET (Ref # 92039) | 92039-0865 | 14 |
| SEAL,10X6X825 (Ref # 92093) | 92093-0729 | 1 |
| SEAL,10X6X725 (Ref # 92093A) | 92093-0730 | 1 |
| COLLAR (Ref # 92143) | 92143-1057 | 2 |
| COLLAR,6.3X9.5X4.1 (Ref # 92152) | 92152-1571 | 10 |
| DAMPER,7.8X30X11 (Ref # 92161) | 92161-1953 | 2 |
| NUT (Ref # 92210) | 92210-1125 | 2 |