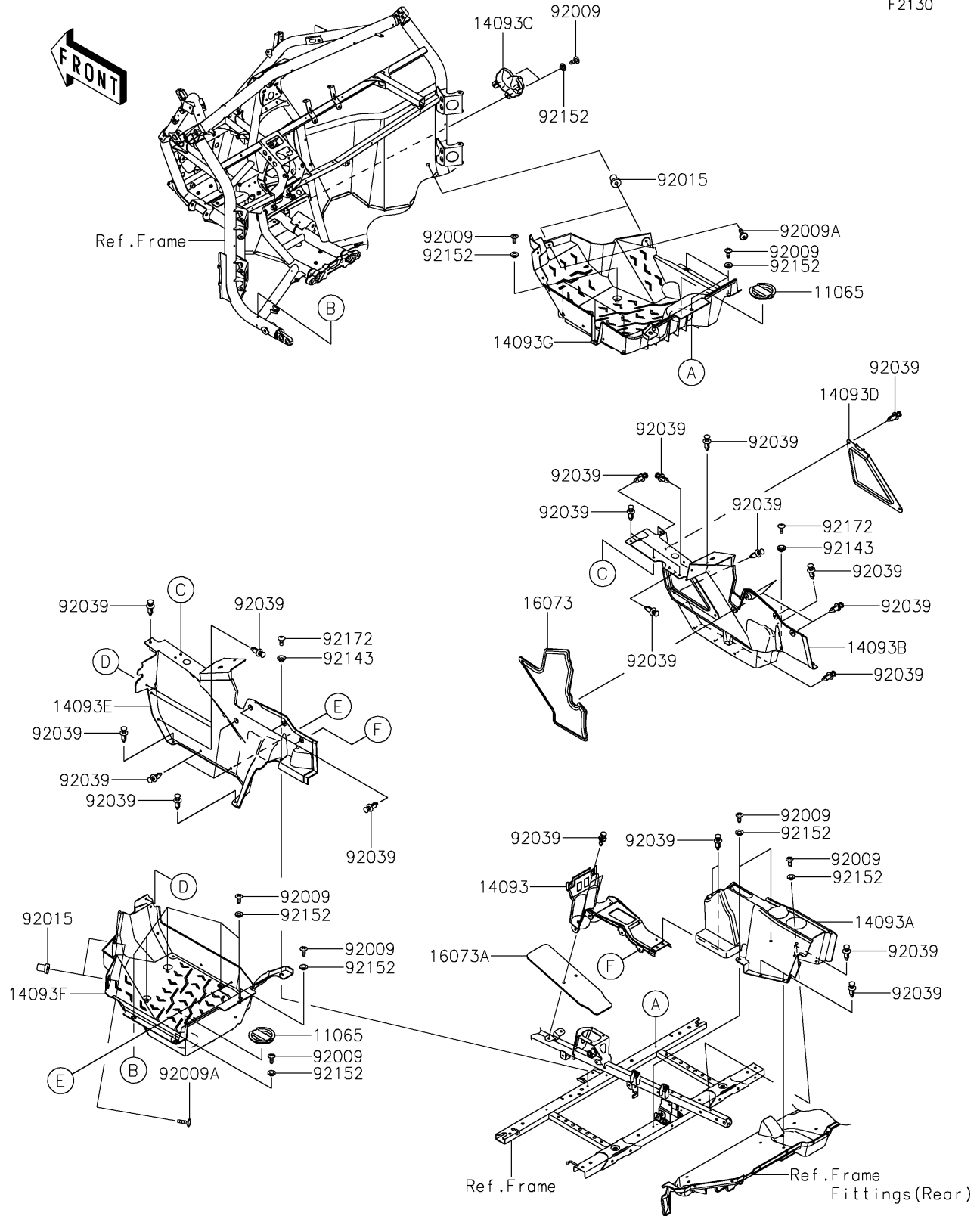


2026 Teryx KRX 1000

PARTS DIAGRAM

Frame Fittings(Front)

F2130



2026 Teryx KRX 1000

PARTS LIST

Frame Fittings(Front)

| ITEM NAME | PART NUMBER | QUANTITY |
|--|-------------|----------|
| CAP,FLOOR (Ref # 11065) | 11065-1423 | 2 |
| COVER,CENTER CONSOLE,FR (Ref # 14093) | 14093-0833 | 1 |
| COVER,CENTER CONSOLE,RR (Ref # 14093A) | 14093-0834 | 1 |
| COVER,FLOOR,CNT,RH (Ref # 14093B) | 14093-0838 | 1 |
| COVER,FR GEAR,SIDE (Ref # 14093C) | 14093-0839 | 1 |
| COVER,MAINTENANCE (Ref # 14093D) | 14093-0850 | 1 |
| COVER,FLOOR,CNT,LH (Ref # 14093E) | 14093-1161 | 1 |
| COVER,FLOOR,LH (Ref # 14093F) | 14093-1208 | 1 |
| COVER,FLOOR,RH (Ref # 14093G) | 14093-1209 | 1 |
| INSULATOR (Ref # 16073) | 16073-0898 | 1 |
| INSULATOR (Ref # 16073A) | 16073-0940 | 1 |
| SCREW,TAPPING,6X16 (Ref # 92009) | 92009-1166 | 19 |
| SCREW,6X22,BLACK (Ref # 92009A) | 92009-1256 | 4 |
| NUT,RUBBER,6MM (Ref # 92015) | 92015-1692 | 4 |
| RIVET (Ref # 92039) | 92039-0865 | 41 |
| COLLAR (Ref # 92143) | 92143-1057 | 2 |
| COLLAR,6.3X9.5X4.1 (Ref # 92152) | 92152-1571 | 19 |
| SCREW,TAPPING,6X16 (Ref # 92172) | 92172-0739 | 2 |