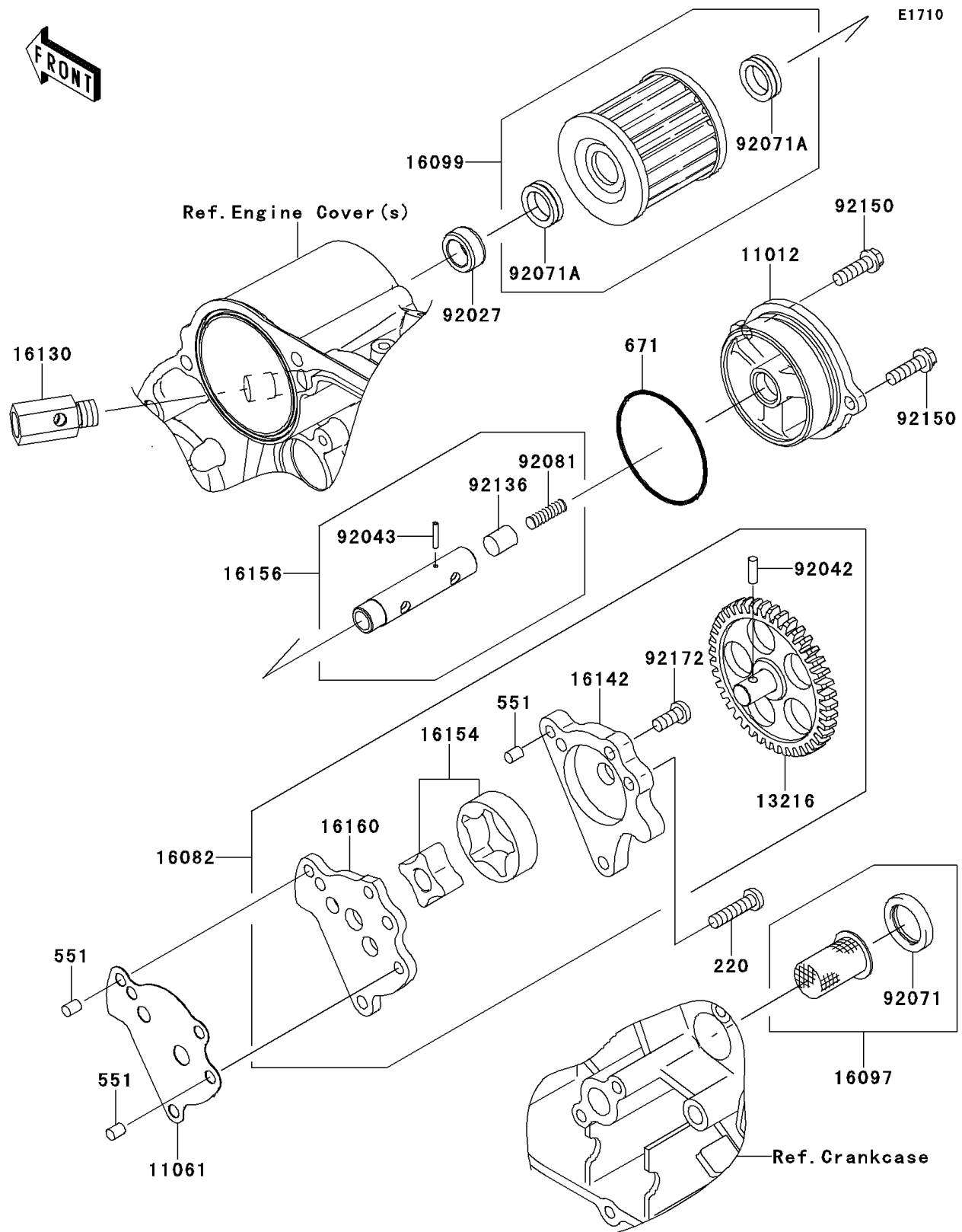


# 2011 KLR™ 650

## PARTS DIAGRAM

### Oil Pump



# 2011 KLR™ 650

## PARTS LIST

### Oil Pump

**ITEM NAME**

**PART NUMBER**

**QUANTITY**

---