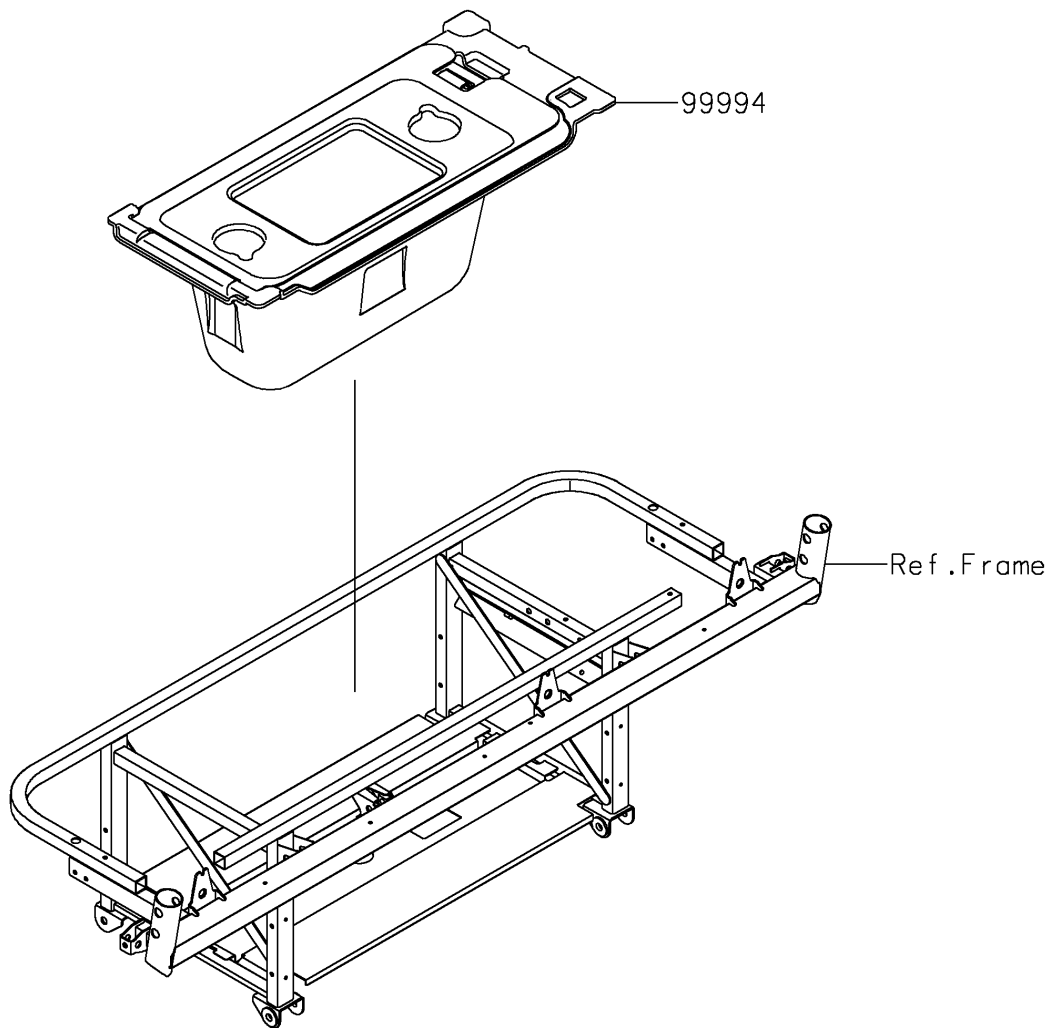


2024 MULE PRO-FXT™ 1000 PLATINUM RANCH EDITION

PARTS DIAGRAM

Cargo Box

F2910C



2024 MULE PRO-FXT™ 1000 PLATINUM RANCH EDITION



PARTS LIST

Cargo Box

ITEM NAME	PART NUMBER	QUANTITY
-----------	-------------	----------
