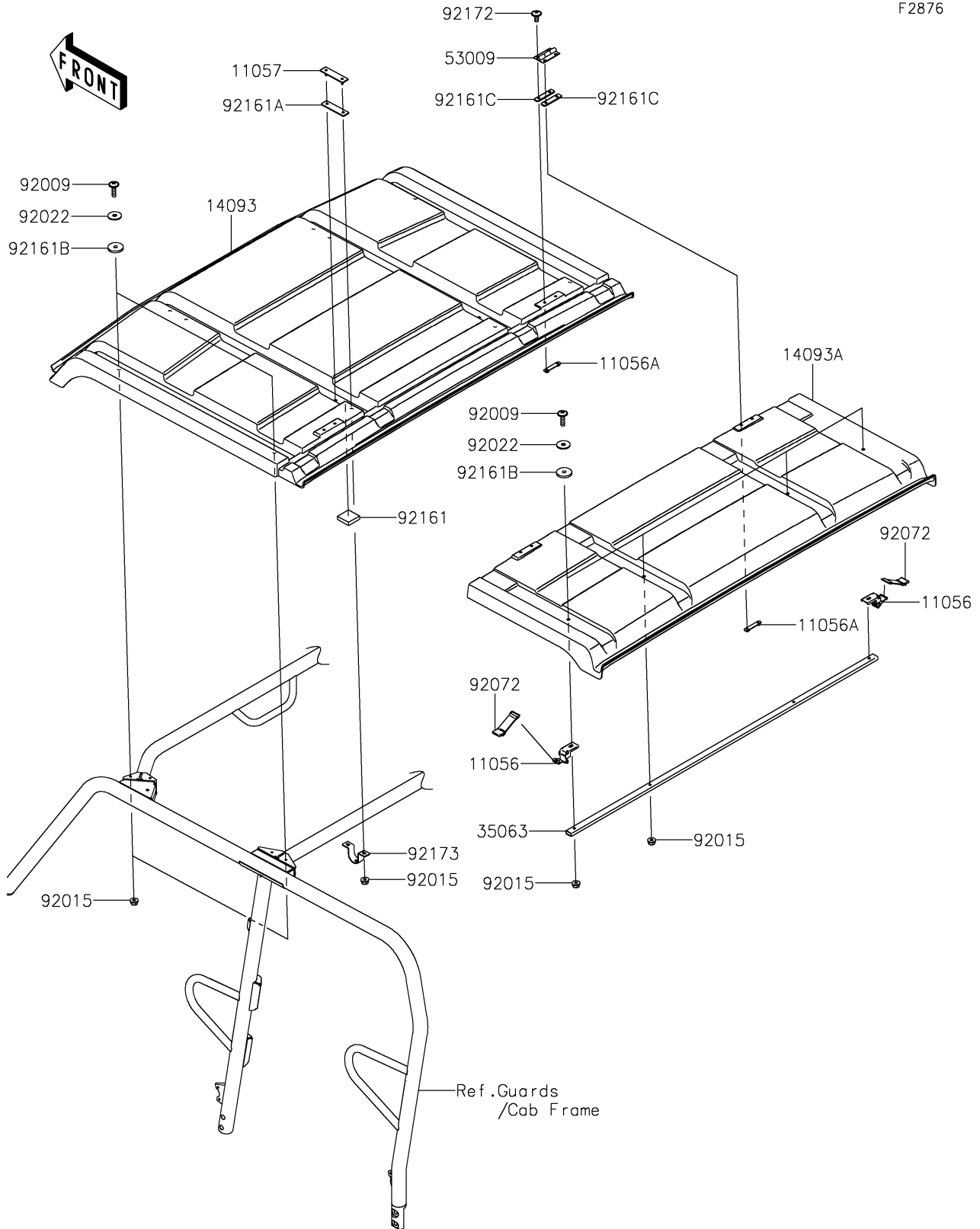


2026 MULE PRO-FXT™ 1000 PLATINUM RANCH EDITION

PARTS DIAGRAM

Sun Top

F2876



2026 MULE PRO-FXT™ 1000 PLATINUM RANCH EDITION



PARTS LIST

Sun Top

| ITEM NAME | PART NUMBER | QUANTITY |
|-----------|-------------|----------|
|-----------|-------------|----------|
