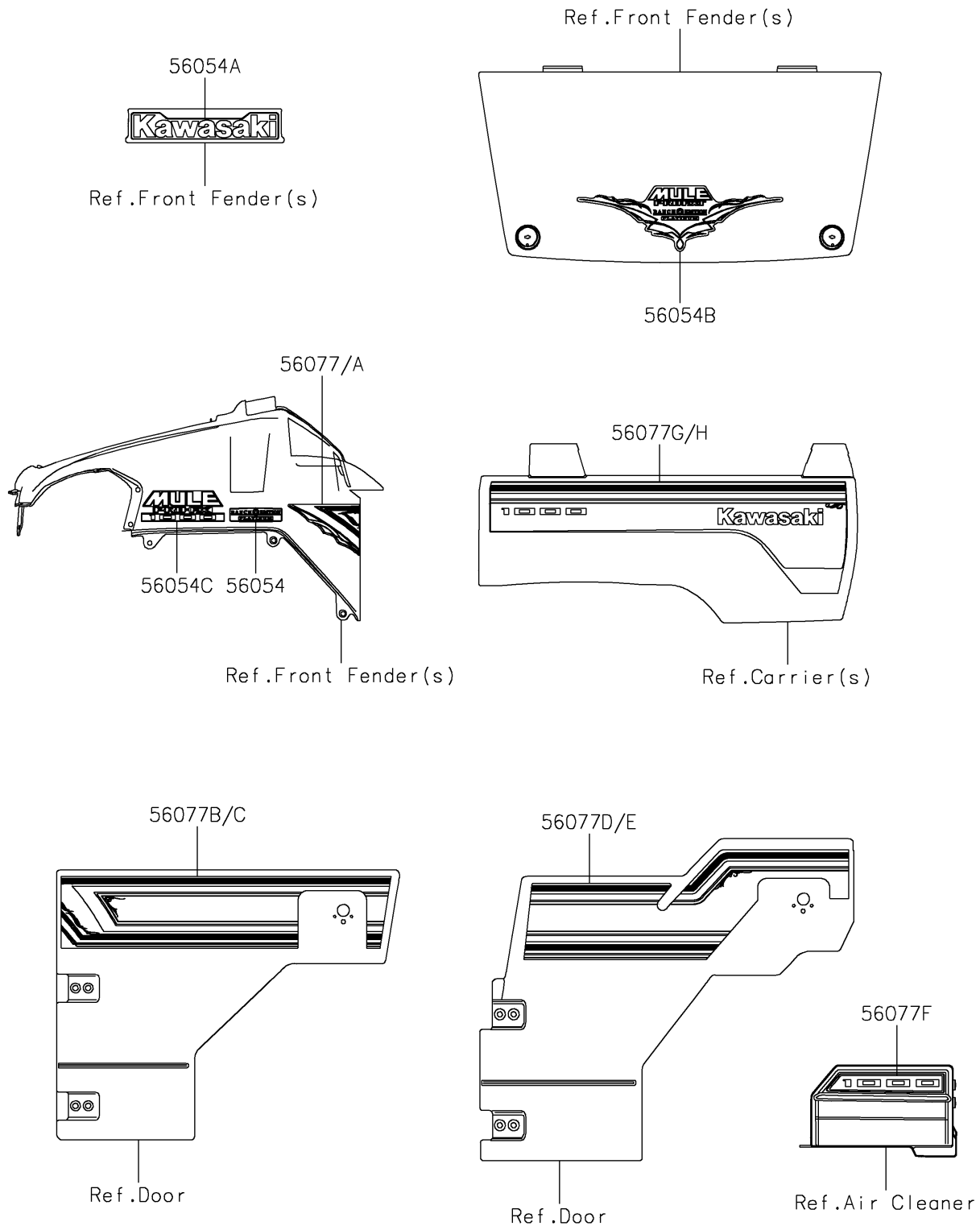


# 2026 MULE PRO-FXT™ 1000 PLATINUM RANCH EDITION

## PARTS DIAGRAM

### Decals(DTFNN-DVFNN)

F2861B



# 2026 MULE PRO-FXT™ 1000 PLATINUM RANCH EDITION



## PARTS LIST

### Decals(DTFNN-DVFNN)

ITEM NAME	PART NUMBER	QUANTITY
MARK,RANCH EDITION (Ref # 56054)	56054-2913	2
MARK,KAWASAKI (Ref # 56054A)	56054-3890	1
MARK,RANCH EDITION PLATINUM (Ref # 56054B)	56054-3947	1
MARK,MULE PRO-FXT 1000 (Ref # 56054C)	56054-4014	2
PATTERN,FR FENDER,LH (Ref # 56077)	56077-1669	1
PATTERN,FR FENDER,RH (Ref # 56077A)	56077-1670	1
PATTERN,SIDE GUARD,LH,FR (Ref # 56077B)	56077-1671	1
PATTERN,SIDE GUARD,RH,FR (Ref # 56077C)	56077-1672	1
PATTERN,SIDE GUARD,LH,RR (Ref # 56077D)	56077-1673	1
PATTERN,SIDE GUARD,RH,RR (Ref # 56077E)	56077-1674	1
PATTERN,AIR FILTER COVER (Ref # 56077F)	56077-1675	1
PATTERN,CARRIER PANEL,LH (Ref # 56077G)	56077-1676	1
PATTERN,CARRIER PANEL,RH (Ref # 56077H)	56077-1677	1