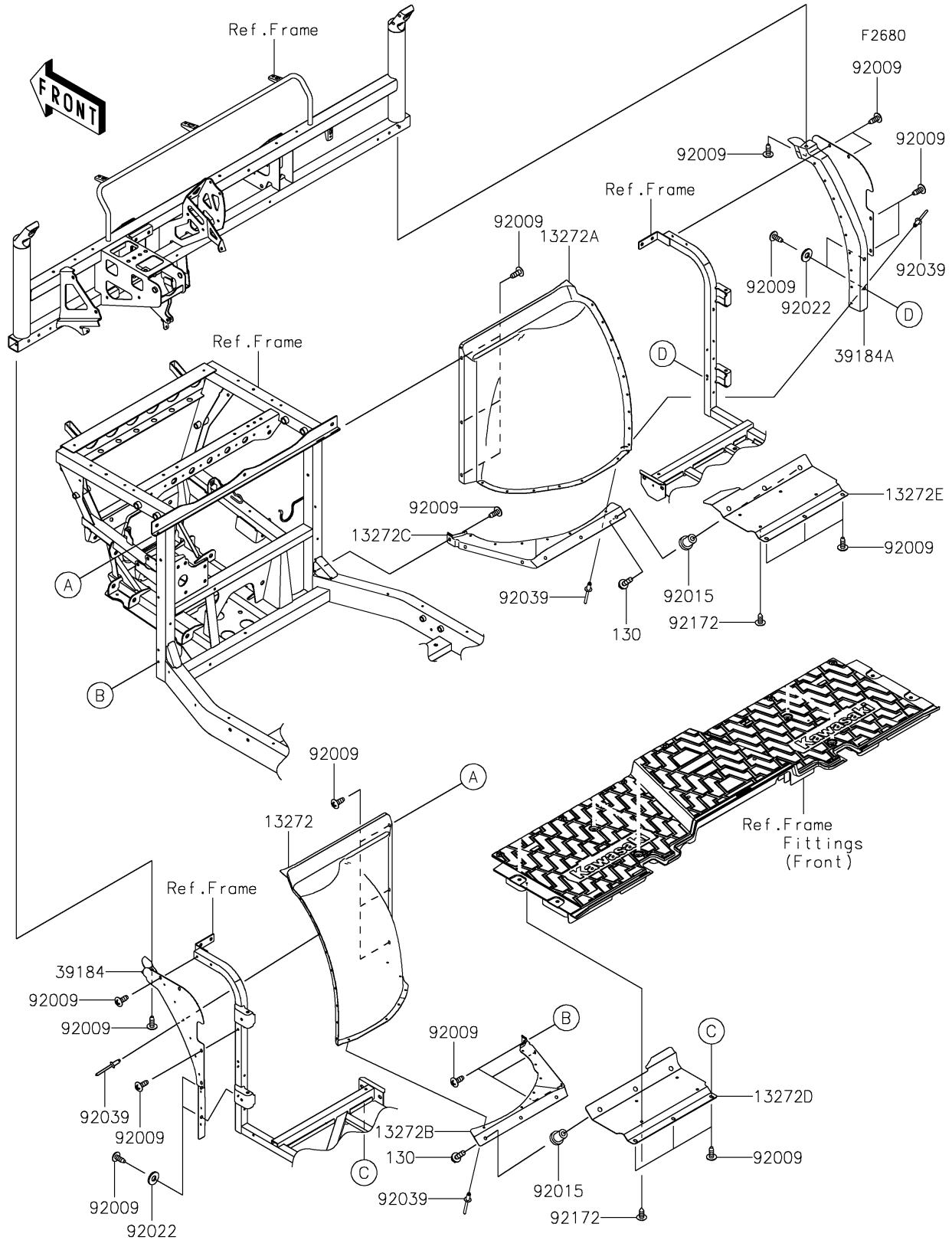


# 2024 MULE PRO-FXT™ 1000 PLATINUM RANCH EDITION

## PARTS DIAGRAM

### Guard(s)



# 2024 MULE PRO-FXT™ 1000 PLATINUM RANCH EDITION



## PARTS LIST

Guard(s)

ITEM NAME	PART NUMBER	QUANTITY
-----------	-------------	----------

---