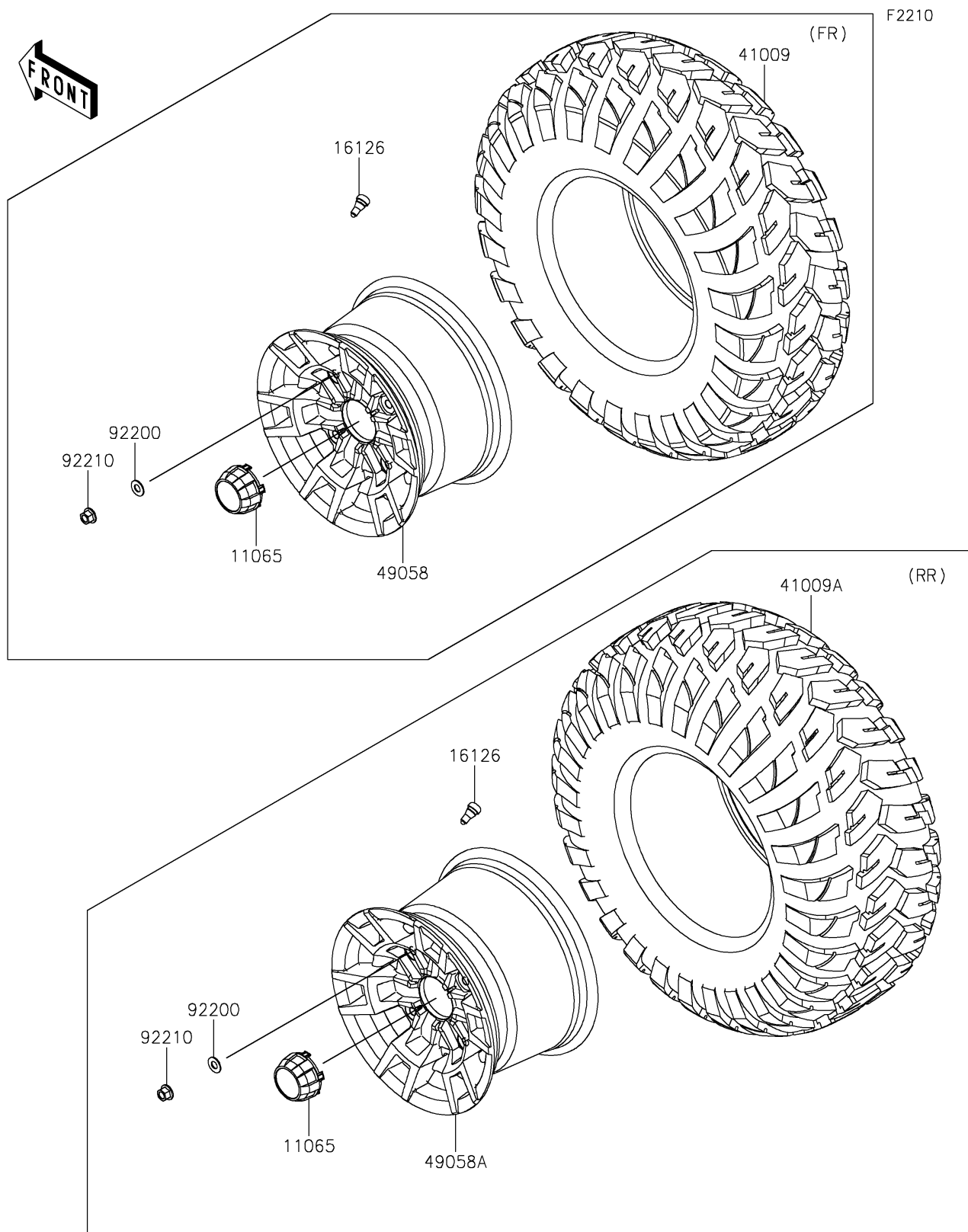


# 2024 MULE PRO-FXT™ 1000 PLATINUM RANCH EDITION

## PARTS DIAGRAM

### Wheels/Tires



# 2024 MULE PRO-FXT™ 1000 PLATINUM RANCH EDITION



## PARTS LIST Wheels/Tires

ITEM NAME	PART NUMBER	QUANTITY
-----------	-------------	----------

---