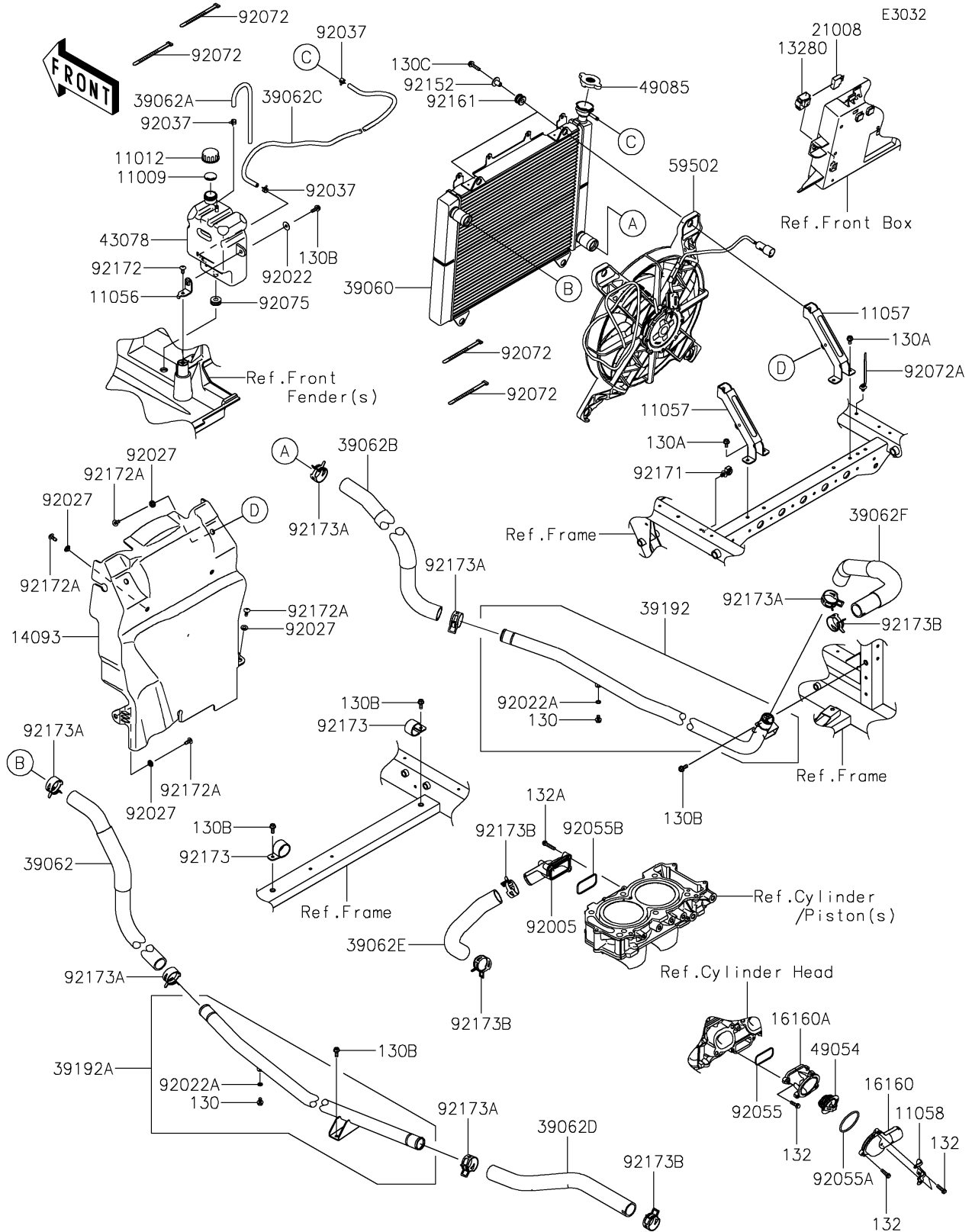


2025 MULE PRO-FXT 1000 Platinum

PARTS DIAGRAM

Radiator



2025 MULE PRO-FXT 1000 Platinum

PARTS LIST

Radiator

ITEM NAME	PART NUMBER	QUANTITY
GASKET,RESERVOIR TANK CAP (Ref # 11009)	11009-1145	1
CAP (Ref # 11012)	11012-1084	1
BRACKET,RESERVOIR (Ref # 11056)	11056-3856	1
BRACKET,RADIATOR (Ref # 11057)	11057-0774	2
BRACKET (Ref # 11058)	11058-0325	1
HOLDER,BREAKER (Ref # 13280)	13280-0898	1
COVER,RADIATOR BACK (Ref # 14093)	14093-1391	1
BODY,THERMOSTAT COVER (Ref # 16160)	16160-0839	1
BODY,THERMOSTAT (Ref # 16160A)	16160-0840	1
BREAKER,RAD.FAN,20A (Ref # 21008)	21008-0015	1
RADIATOR (Ref # 39060)	39060-0753	1
HOSE-COOLING,RADIATOR IN (Ref # 39062)	39062-0650	1
HOSE-COOLING,OVER FLOW (Ref # 39062A)	39062-0696	1
HOSE-COOLING,RADIATOR OUT (Ref # 39062B)	39062-0777	1
HOSE-COOLING,RAD-RESERVOIR (Ref # 39062C)	39062-0985	1
HOSE-COOLING,ENGINE IN (Ref # 39062D)	39062-0986	1
HOSE-COOLING,W/PUMP-ENGINE (Ref # 39062E)	39062-0987	1
HOSE-COOLING,ENGINE OUT (Ref # 39062F)	39062-0988	1
PIPE-WATER,RH (Ref # 39192)	39192-0574	1
PIPE-WATER,LH (Ref # 39192A)	39192-0715	1
RESERVOIR (Ref # 43078)	43078-0571	1
THERMOSTAT (Ref # 49054)	49054-0015	1
CAP-ASSY-PRESSURE (Ref # 49085)	49085-0019	1
FAN-ASSY (Ref # 59502)	59502-0641	1
FITTING (Ref # 92005)	92005-1445	1
WASHER,PLAIN,6.5X20X1 (Ref # 92022)	92022-165	1
WASHER,6.2X11X1 (Ref # 92022A)	92022-304	2
COLLAR,L=4.6 (Ref # 92027)	92027-1168	6
CLAMP,TUBE (Ref # 92037)	92037-1461	3

2025 MULE PRO-FXT 1000 Platinum

Kawasaki
Let the Good Times Roll®

PARTS LIST

Radiator

ITEM NAME	PART NUMBER	QUANTITY
RING-O,YP 27.6 57.6 1.9 (Ref # 92055)	92055-0021	1
RING-O,53.5X2.6 (Ref # 92055A)	92055-0831	1
RING-O,FITTING (Ref # 92055B)	92055-0923	1
BAND,L=123 (Ref # 92072)	92072-030	4
BAND,OS170-FT7(BLACK) (Ref # 92072A)	92072-1414	1
DAMPER (Ref # 92075)	92075-1185	1
COLLAR (Ref # 92152)	92152-2844	4
DAMPER (Ref # 92161)	92161-2436	4
CLAMP (Ref # 92171)	92171-0453	1
SCREW,6X16 (Ref # 92172)	92172-0284	1
SCREW,TAPPING,6X16 (Ref # 92172A)	92172-0739	6
CLAMP (Ref # 92173)	92173-1204	2
CLAMP,28.6MM (Ref # 92173A)	92173-1205	6
CLAMP,33.4MM (Ref # 92173B)	92173-1981	4
BOLT-FLANGED,6X10 (Ref # 130)	130BA0610	2
BOLT-FLANGED,6X12 (Ref # 130A)	130BA0612	4
BOLT-FLANGED,6X16 (Ref # 130B)	130BA0616	5
BOLT-FLANGED,6X25 (Ref # 130C)	130BA0625	4
BOLT-FLANGED-SMALL,6X20 (Ref # 132)	132BA0620	5
BOLT-FLANGED-SMALL,6X30 (Ref # 132A)	132BA0630	3