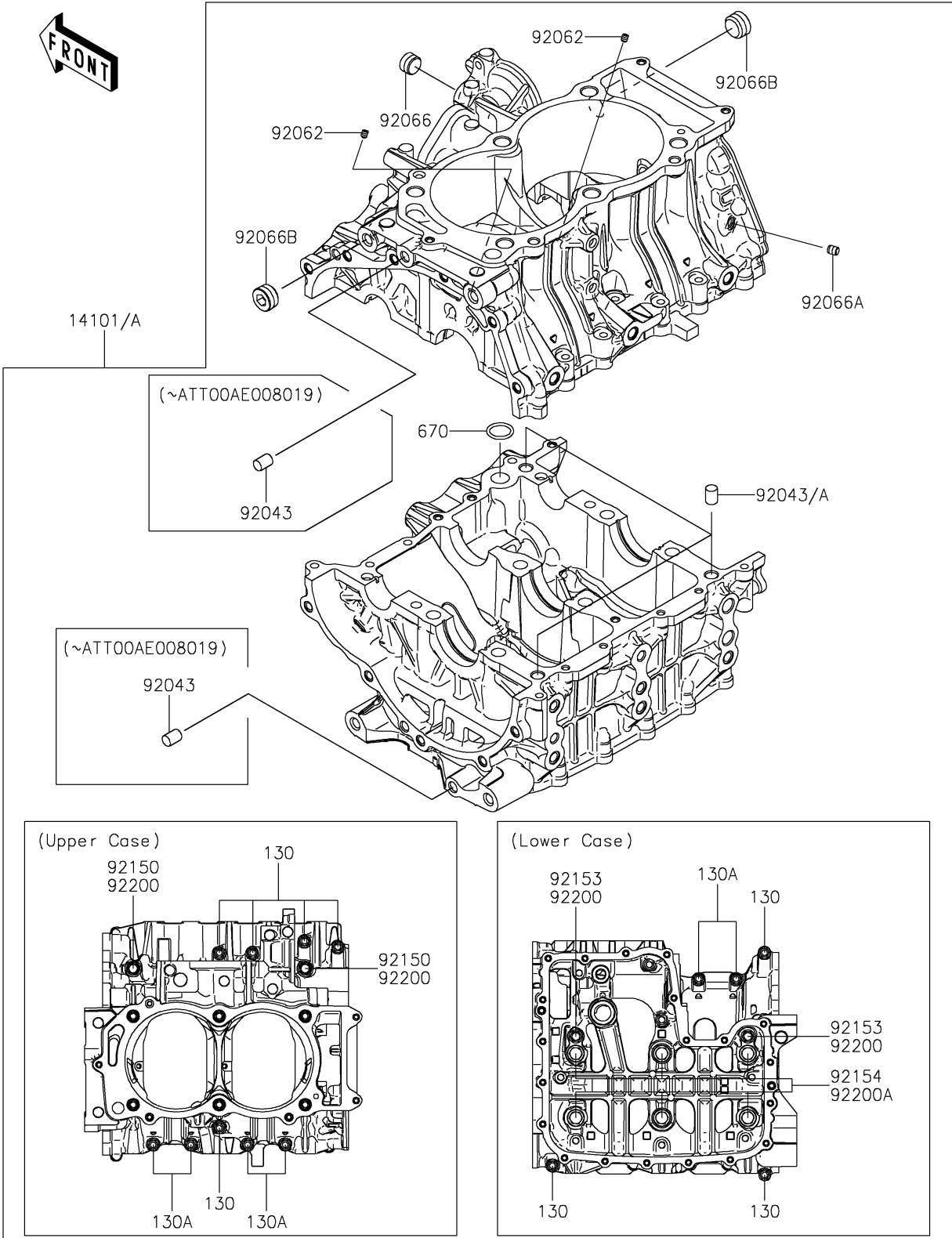


2026 MULE PRO-FXT™ 1000 PLATINUM RANCH EDITION

PARTS DIAGRAM

Crankcase

E1411



2026 MULE PRO-FXT™ 1000 PLATINUM RANCH EDITION



PARTS LIST

Crankcase

ITEM NAME	PART NUMBER	QUANTITY
-----------	-------------	----------
