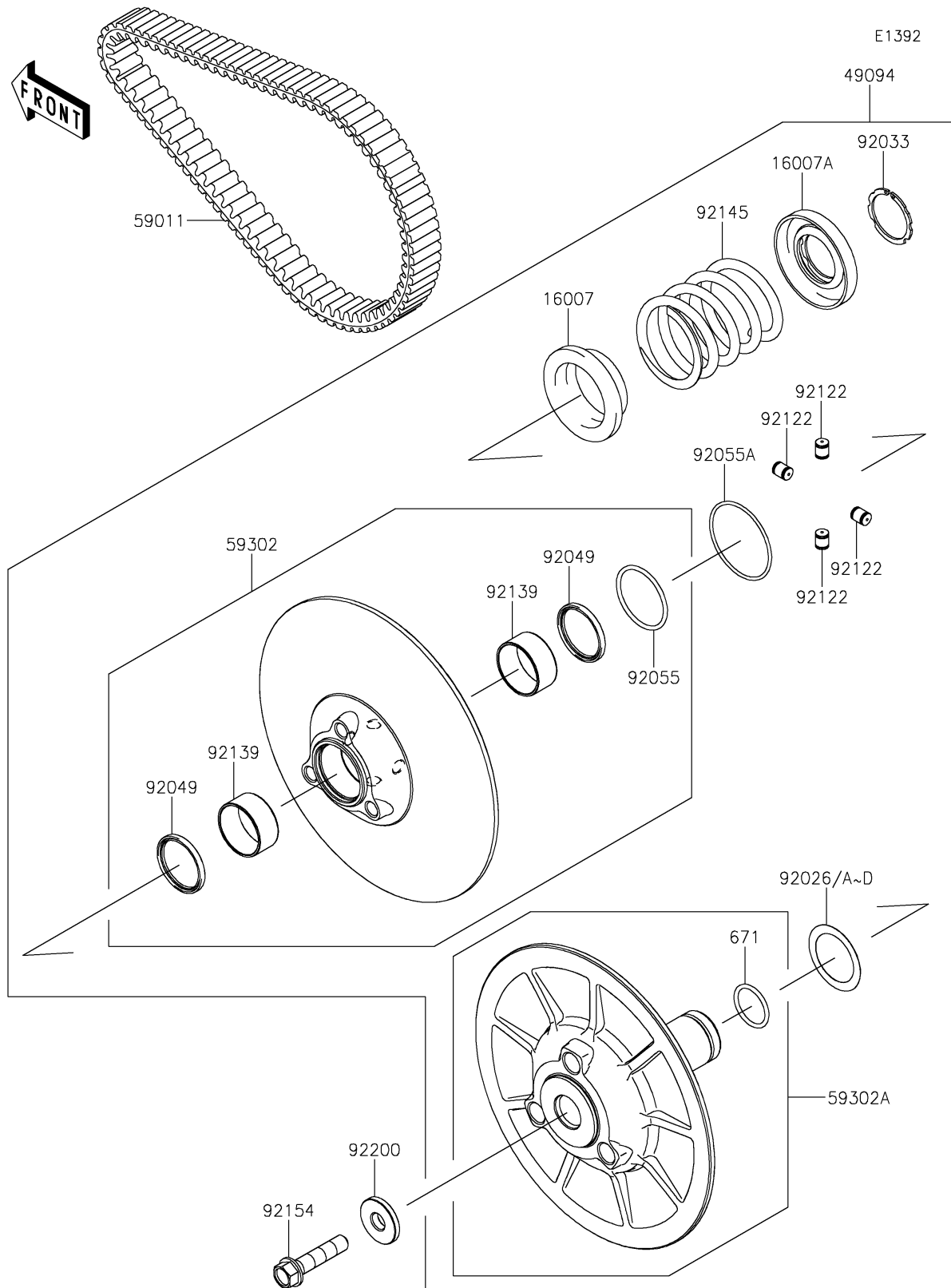


2024 MULE PRO-FXT™ 1000 PLATINUM RANCH EDITION

PARTS DIAGRAM

Driven Converter/Drive Belt



2024 MULE PRO-FXT™ 1000 PLATINUM RANCH EDITION



PARTS LIST

Driven Converter/Drive Belt

ITEM NAME	PART NUMBER	QUANTITY
-----------	-------------	----------
