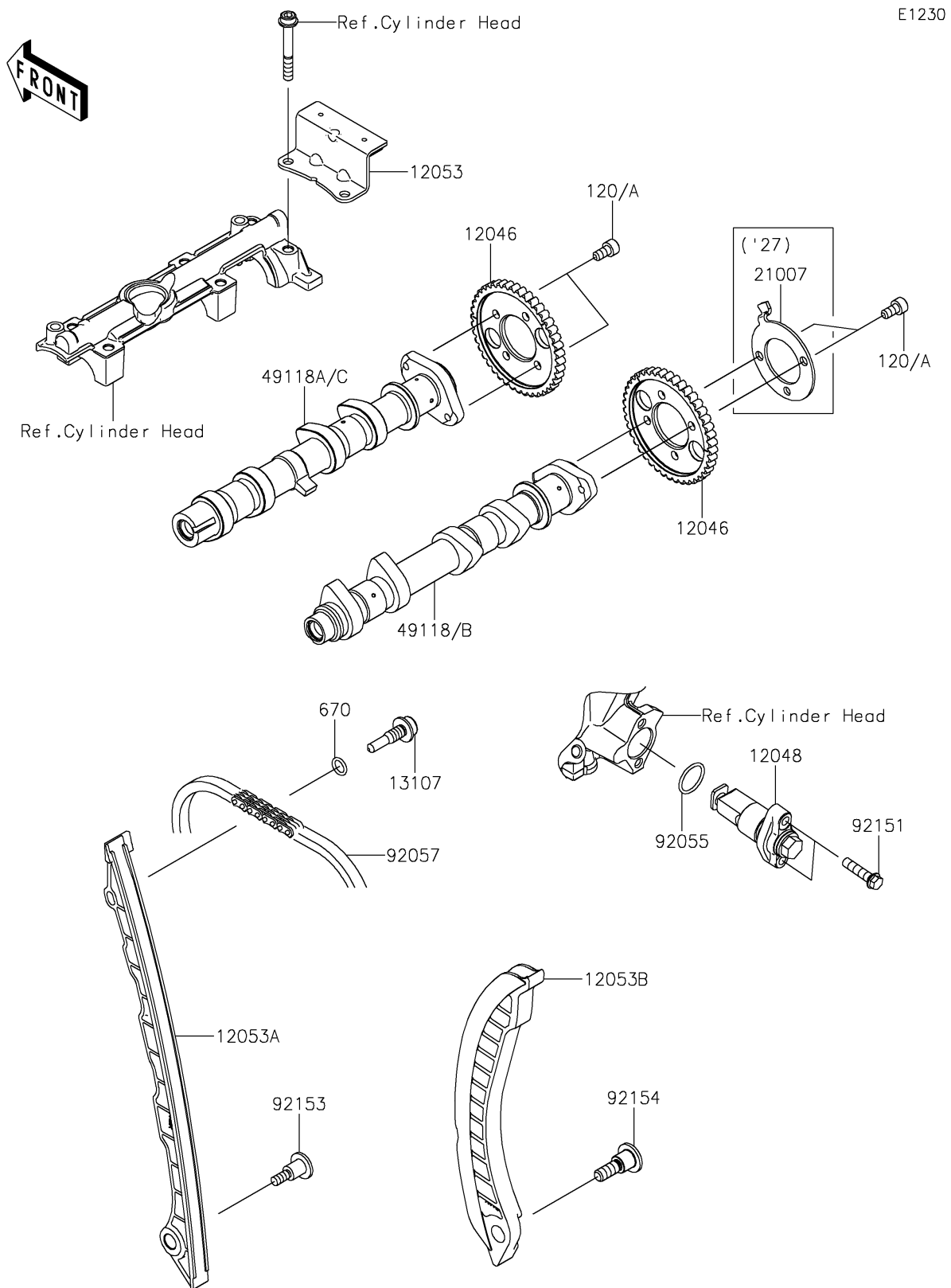


2026 MULE PRO-FXT™ 1000 PLATINUM RANCH EDITION

PARTS DIAGRAM

Camshaft(s)/Tensioner



2026 MULE PRO-FXT™ 1000 PLATINUM RANCH EDITION



PARTS LIST

Camshaft(s)/Tensioner

ITEM NAME	PART NUMBER	QUANTITY
-----------	-------------	----------
