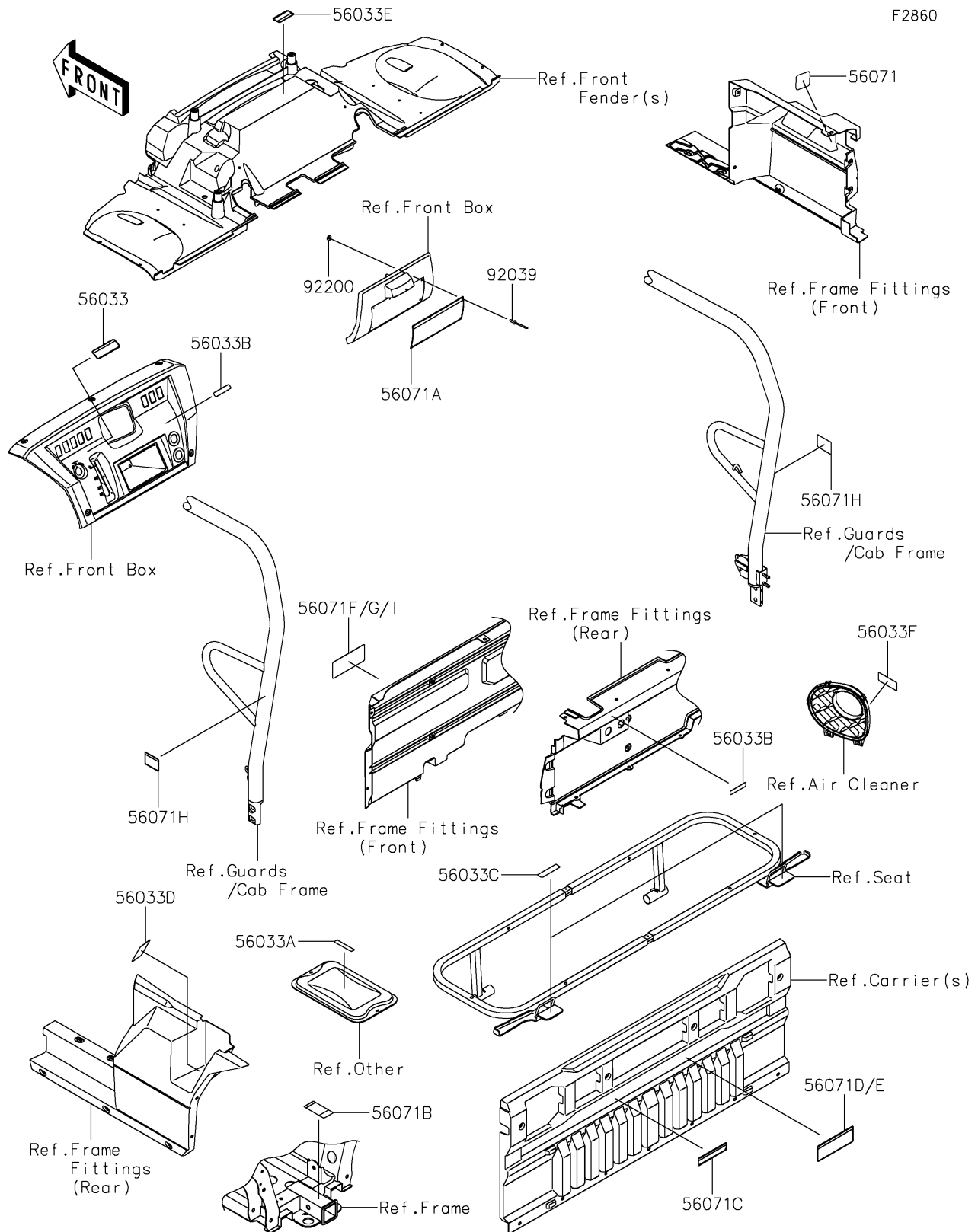


# 2025 MULE PRO-FXR 1000

## PARTS DIAGRAM

### Labels



# 2025 MULE PRO-FXR 1000

## PARTS LIST

### Labels

| ITEM NAME                                     | PART NUMBER | QUANTITY |
|---|-------------|----------|
| LABEL-MANUAL,SHIFT NOTICE (Ref # 56033)       | 56033-0822  | 1        |
| LABEL-MANUAL,STORAGE MAX LOAD (Ref # 56033A)  | 56033-0966  | 1        |
| LABEL-MANUAL,DC OUTLET (Ref # 56033B)         | 56033-0997  | 2        |
| LABEL-MANUAL,REAR SEAT (Ref # 56033C)         | 56033-0999  | 2        |
| LABEL-MANUAL,DRIVE BELT (Ref # 56033D)        | 56033-1000  | 1        |
| LABEL-MANUAL,FRONT HOOD (Ref # 56033E)        | 56033-1379  | 1        |
| LABEL-MANUAL,AIR CLEANER (Ref # 56033F)       | 56033-1488  | 1        |
| LABEL-WARNING,GASOLINE (Ref # 56071)          | 56071-0588  | 1        |
| LABEL-WARNING,GENERAL (Ref # 56071A)          | 56071-0709  | 1        |
| LABEL-WARNING,TRAILER HITCH (Ref # 56071B)    | 56071-0711  | 1        |
| LABEL-WARNING,SCREEN OPERATION (Ref # 56071C) | 56071-0712  | 1        |
| LABEL-WARNING,CARGO CAPA. (Ref # 56071D)      | 56071-0713  | 1        |
| LABEL-WARNING,CARGO CAPA. (Ref # 56071E)      | 56071-0714  | 1        |
| LABEL-WARNING,TIRE&LOAD (Ref # 56071F)        | 56071-0719  | 1        |
| LABEL-WARNING,TIRE&LOAD (Ref # 56071G)        | 56071-0721  | 1        |
| LABEL-WARNING,BED OPERATION (Ref # 56071H)    | 56071-0979  | 2        |
| RIVET,3.2X8 (Ref # 92039)                     | 92039-3763  | 6        |
| WASHER,3.5X8X1 (Ref # 92200)                  | 92200-1251  | 6        |