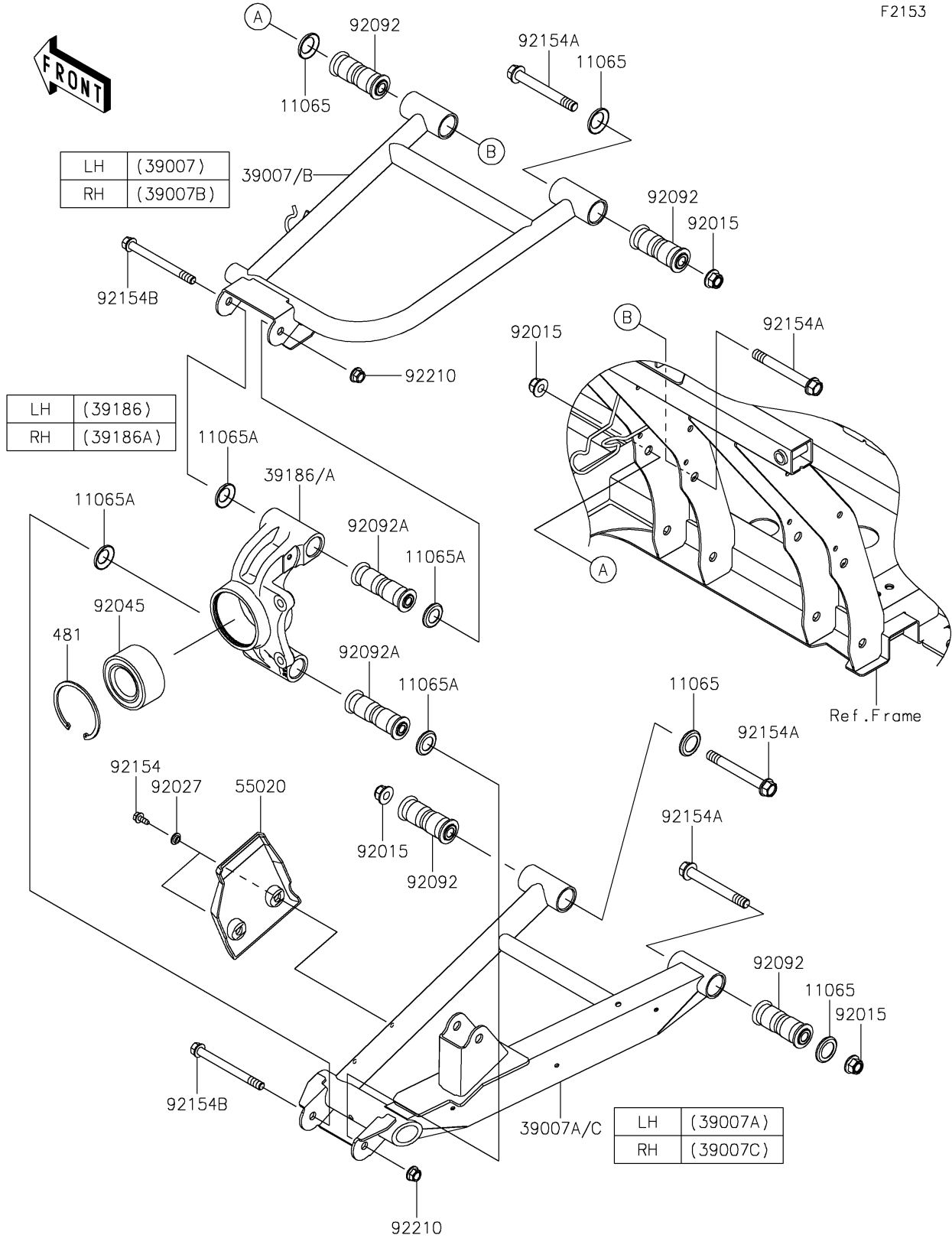


# 2024 MULE PRO-FXT™ 1000 LE CAMO

## PARTS DIAGRAM

### Rear Suspension

F2153



# 2024 MULE PRO-FXT™ 1000 LE CAMO

**Kawasaki**  
Let the Good Times Roll®

## PARTS LIST

### Rear Suspension

ITEM NAME	PART NUMBER	QUANTITY
CAP,ARM (Ref # 11065)	11065-0838	8
CAP (Ref # 11065A)	11065-0849	8
ARM-SUSP,RR,UPP,LH,BLACK (Ref # 39007)	39007-0481-10	1
ARM-SUSP,RR,LWR,LH,BLACK (Ref # 39007A)	39007-0482-10	1
ARM-SUSP,RR,UPP,RH,BLACK (Ref # 39007B)	39007-0483-10	1
ARM-SUSP,RR,LWR,RH,BLACK (Ref # 39007C)	39007-0484-10	1
KNUCKLE,RR,LH (Ref # 39186)	39186-0317	1
KNUCKLE,RR,RH (Ref # 39186A)	39186-0318	1
GUARD,RR CVJ (Ref # 55020)	55020-0931	2
NUT,LOCK,FLANGED,12MM (Ref # 92015)	92015-1433	8
COLLAR,L=4.6 (Ref # 92027)	92027-1168	4
BEARING-BALL,40X74X36 (Ref # 92045)	92045-0993	2
BUSHING-RUBBER,12X20X78 (Ref # 92092)	92092-0028	8
BUSHING-RUBBER,10.1X17X88 (Ref # 92092A)	92092-0029	4
BOLT,6X15.6 (Ref # 92154)	92154-1250	4
BOLT,FLANGED,12X100 (Ref # 92154A)	92154-1318	8
BOLT,FLANGED,10X110 (Ref # 92154B)	92154-1353	4
NUT,LOCK,FLANGED,10MM (Ref # 92210)	92210-0276	4
CIRCLIP-TYPE-C (Ref # 481)	481J7500	2