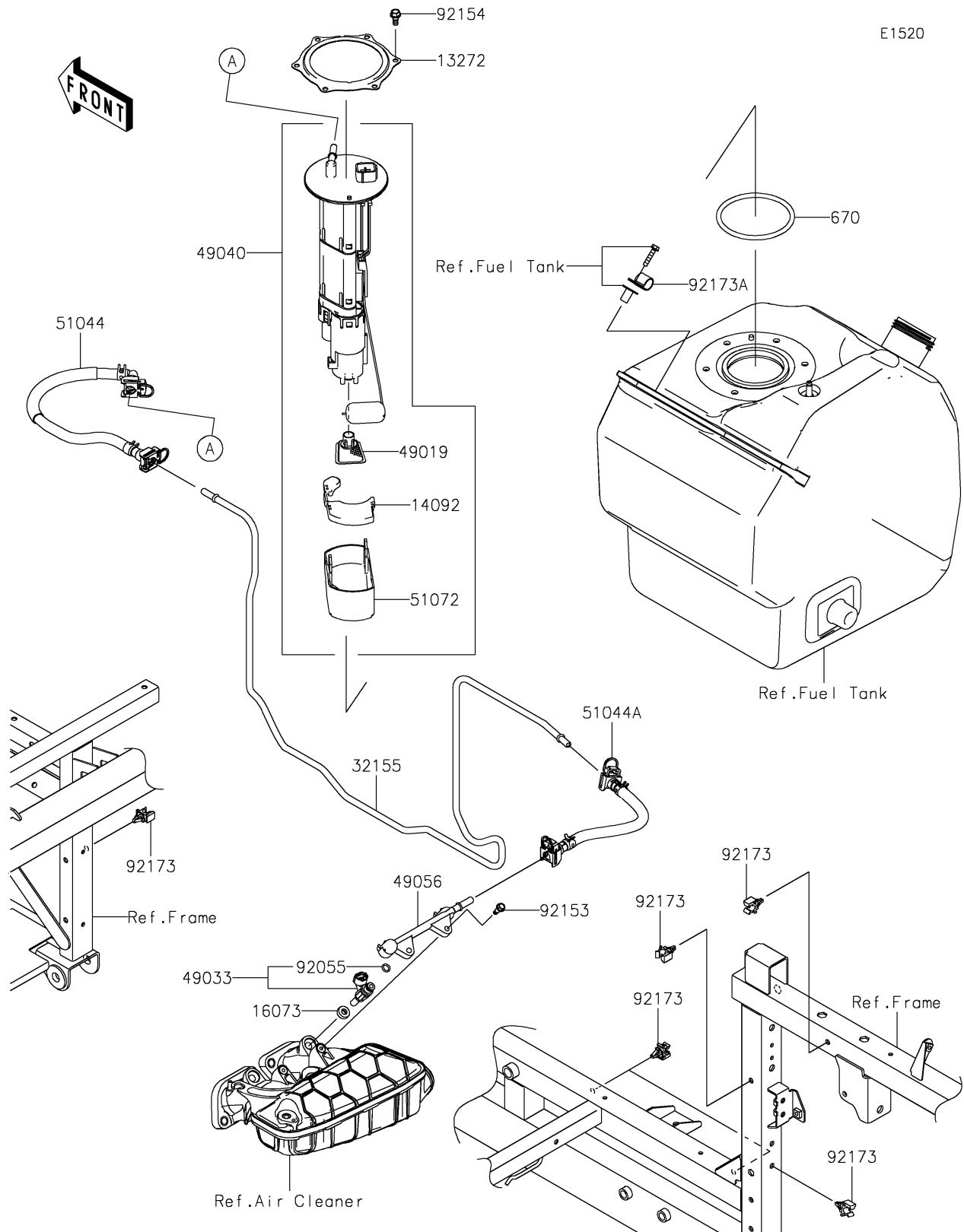


2026 MULE PRO-FXT™ 1000 LE CAMO

PARTS DIAGRAM

Fuel Pump



2026 MULE PRO-FXT™ 1000 LE CAMO

Kawasaki
Let the Good Times Roll®

PARTS LIST

Fuel Pump

ITEM NAME	PART NUMBER	QUANTITY
PLATE (Ref # 13272)	13272-2500	1
COVER (Ref # 14092)	14092-1044	1
INSULATOR (Ref # 16073)	16073-0129	2
PIPE,FUEL (Ref # 32155)	32155-7380	1
FILTER-FUEL (Ref # 49019)	49019-0013	1
NOZZLE-INJECTION (Ref # 49033)	49033-0040	2
PUMP-FUEL (Ref # 49040)	49040-0832	1
PIPE-INJECTION (Ref # 49056)	49056-0566	1
TUBE-ASSY,TANK-PIPE (Ref # 51044)	51044-1260	1
TUBE-ASSY,PIPE-ENGINE (Ref # 51044A)	51044-1261	1
CHAMBER-FUEL (Ref # 51072)	51072-0003	1
RING-O,INJECTION NOZZLE (Ref # 92055)	92055-0937	2
BOLT,FLANGED,5MM (Ref # 92153)	92153-0361	2
BOLT,FUEL PUMP (Ref # 92154)	92154-1326	6
CLAMP,FUEL PIPE (Ref # 92173)	92173-1213	6
CLAMP (Ref # 92173A)	92173-2551	1
O RING (Ref # 670)	670E5090	1