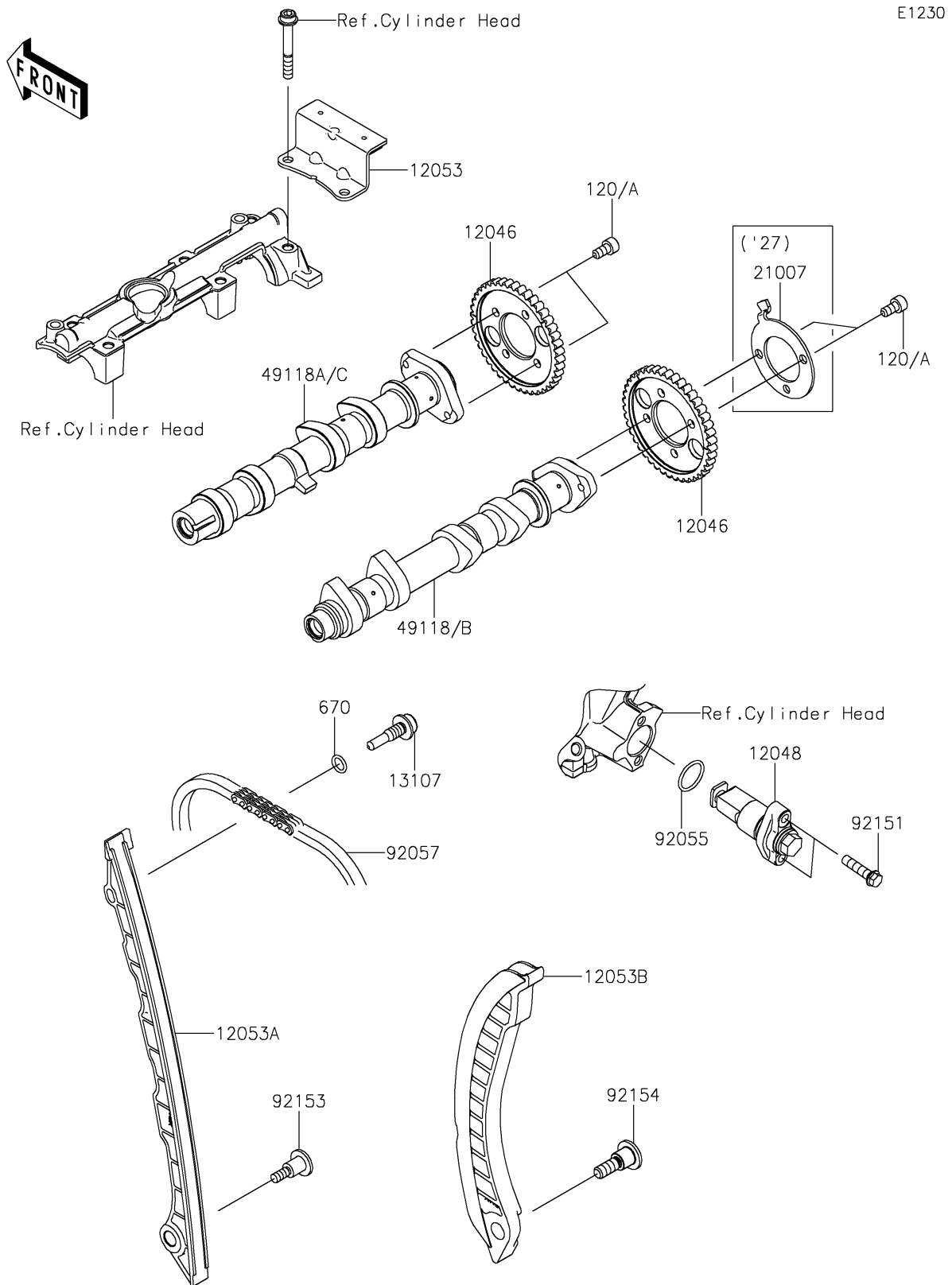


# 2025 MULE PRO-FXR 1000

## PARTS DIAGRAM

### Camshaft(s)/Tensioner



# 2025 MULE PRO-FXR 1000

## PARTS LIST

### Camshaft(s)/Tensioner

| ITEM NAME                             | PART NUMBER | QUANTITY |
|---------------------------------------|-------------|----------|
| SPROCKET,CAM,42T (Ref # 12046)        | 12046-0618  | 2        |
| TENSIONER-ASSY (Ref # 12048)          | 12048-0102  | 1        |
| GUIDE-CHAIN,UPP (Ref # 12053)         | 12053-0278  | 1        |
| GUIDE-CHAIN,FR (Ref # 12053A)         | 12053-0279  | 1        |
| GUIDE-CHAIN,RR (Ref # 12053B)         | 12053-0280  | 1        |
| SHAFT,CHAIN GUIDE (Ref # 13107)       | 13107-0157  | 1        |
| CAMSHAFT-COMP,IN (Ref # 49118)        | 49118-1285  | 1        |
| CAMSHAFT-COMP,EX (Ref # 49118A)       | 49118-1286  | 1        |
| RING-O,18.8X1.9 (Ref # 92055)         | 92055-086   | 1        |
| CHAIN,98XRH2015-148M (Ref # 92057)    | 92057-0769  | 1        |
| BOLT,FLANGED-SMALL,6X25 (Ref # 92151) | 92151-1930  | 2        |
| BOLT,SOCKET,6X24.5 (Ref # 92153)      | 92153-1200  | 1        |
| BOLT,8X29 (Ref # 92154)               | 92154-3930  | 1        |
| BOLT-SOCKET,6X12 (Ref # 120)          | 120CA0612   | 4        |
| O RING,9MM (Ref # 670)                | 670D1509    | 1        |