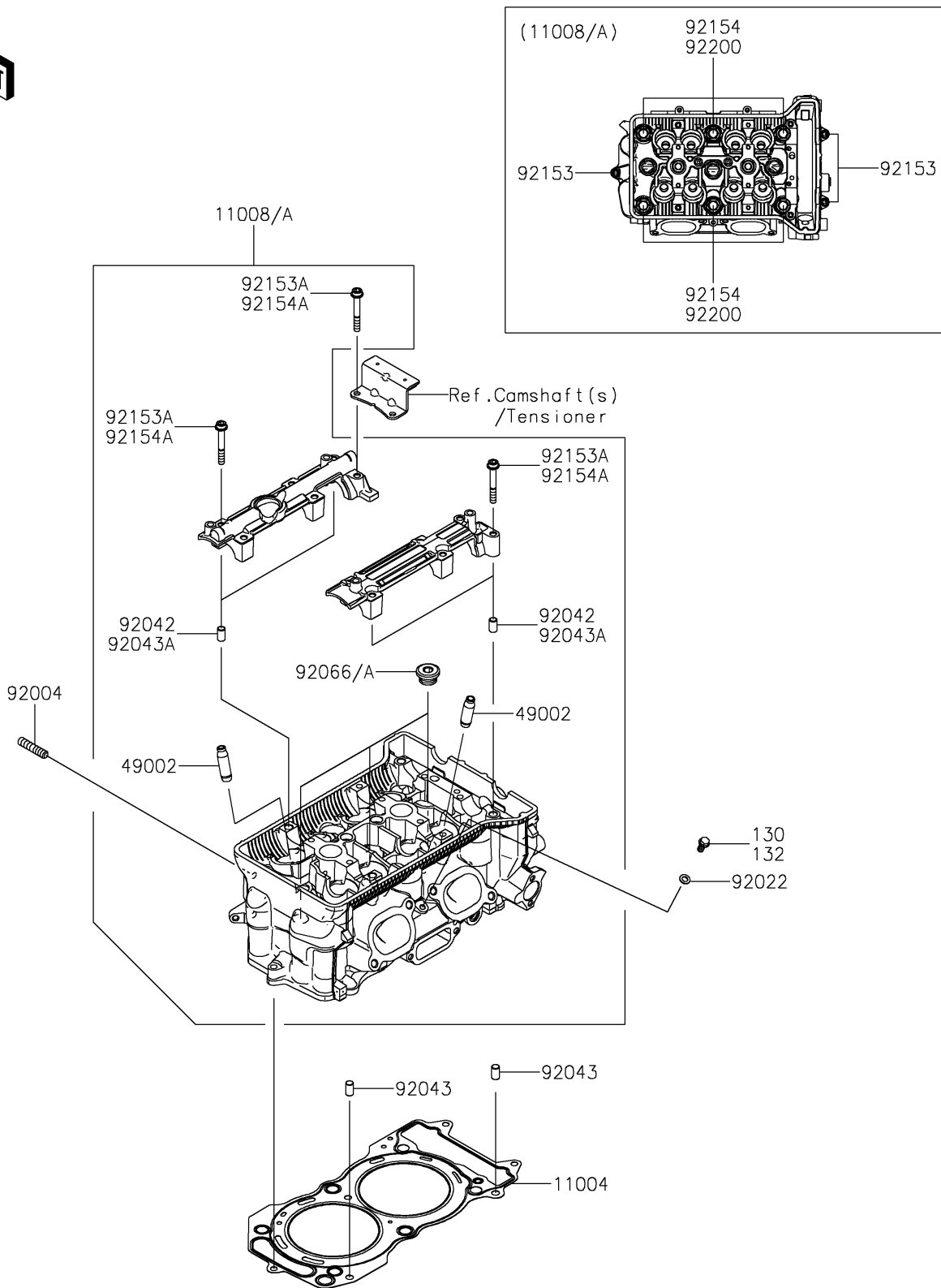


# 2024 MULE PRO-FXT™ 1000 LE CAMO

## PARTS DIAGRAM

### Cylinder Head

E1111



# 2024 MULE PRO-FXT™ 1000 LE CAMO

**Kawasaki**  
Let the Good Times Roll®

## PARTS LIST

### Cylinder Head

ITEM NAME	PART NUMBER	QUANTITY
GASKET-HEAD (Ref # 11004)	11004-0809	1
HEAD-COMP-CYLINDER (Ref # 11008)	11008-1502	1
GUIDE-VALVE (Ref # 49002)	49002-0709	8
STUD,8X22 (Ref # 92004)	92004-1217	8
WASHER,6.2X11X1 (Ref # 92022)	92022-304	1
PIN,DOWEL,6.3X8X14 (Ref # 92042)	92042-007	4
PIN,8X14 (Ref # 92043)	92043-1567	2
PLUG,18X10 (Ref # 92066)	92066-0832	3
BOLT,6X95 (Ref # 92153)	92153-0320	3
BOLT,SOCKET,6X45 (Ref # 92153A)	92153-0656	12
BOLT,11X157 (Ref # 92154)	92154-3931	6
WASHER,11.5X20.5X3.2 (Ref # 92200)	92200-0727	6
BOLT-FLANGED,6X12 (Ref # 130)	130BA0612	1