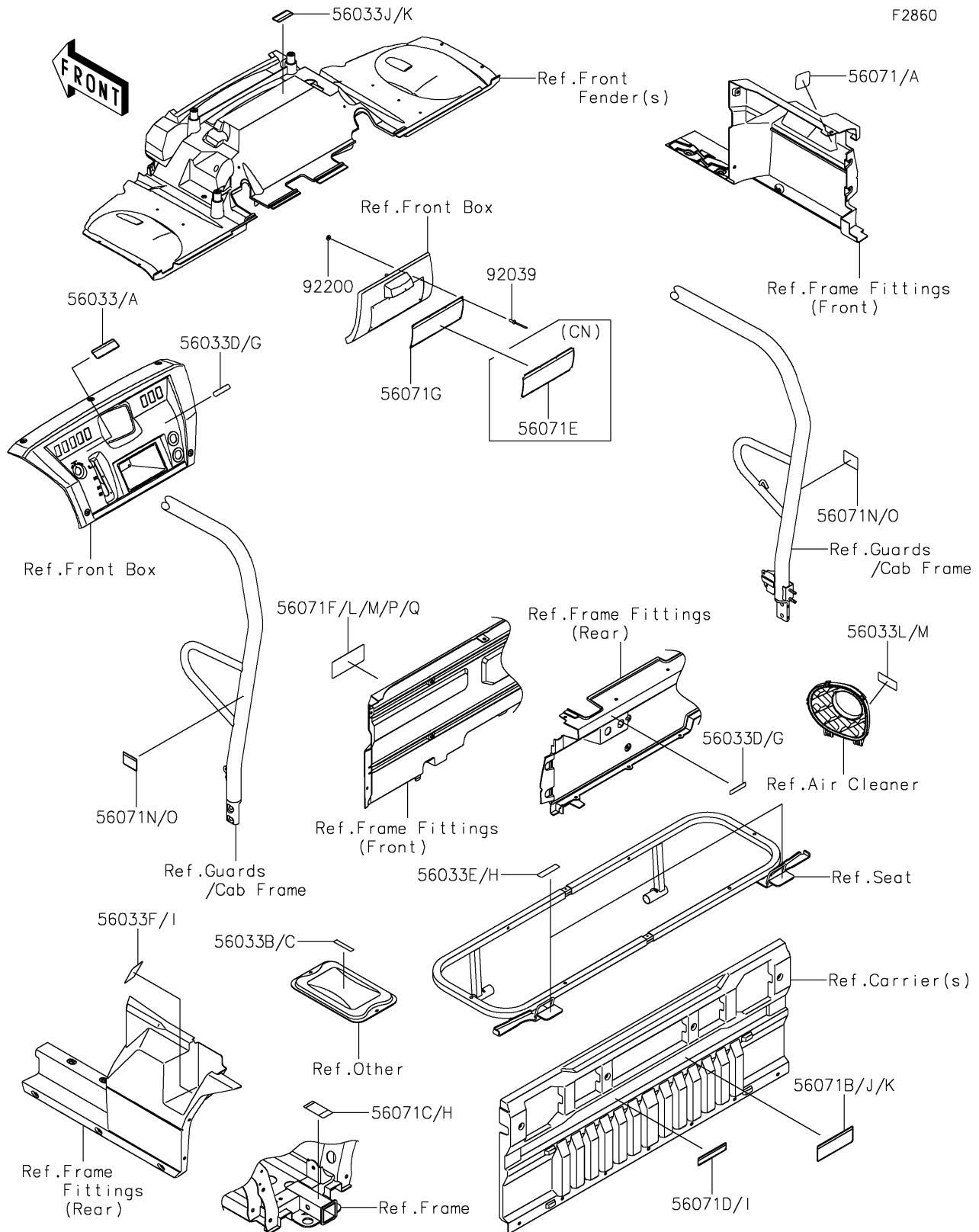


# 2026 MULE PRO-FXT™ 1000 LE

## PARTS DIAGRAM

### Labels



# 2026 MULE PRO-FXT™ 1000 LE

## PARTS LIST

### Labels

| ITEM NAME                                     | PART NUMBER | QUANTITY |
|-----------------------------------------------|-------------|----------|
| LABEL-MANUAL,SHIFT NOTICE (Ref # 56033)       | 56033-0822  | 1        |
| LABEL-MANUAL,SHIFT NOTICE (Ref # 56033A)      | 56033-0826  | 1        |
| LABEL-MANUAL,STORAGE MAX LOAD (Ref # 56033B)  | 56033-0966  | 1        |
| LABEL-MANUAL,STORAGE MAX LOAD (Ref # 56033C)  | 56033-0967  | 1        |
| LABEL-MANUAL,DC OUTLET (Ref # 56033D)         | 56033-0993  | 2        |
| LABEL-MANUAL,REAR SEAT (Ref # 56033E)         | 56033-0995  | 2        |
| LABEL-MANUAL,DRIVE BELT (Ref # 56033F)        | 56033-0996  | 1        |
| LABEL-MANUAL,DC OUTLET (Ref # 56033G)         | 56033-0997  | 2        |
| LABEL-MANUAL,REAR SEAT (Ref # 56033H)         | 56033-0999  | 2        |
| LABEL-MANUAL,DRIVE BELT (Ref # 56033I)        | 56033-1000  | 1        |
| LABEL-MANUAL,FRONT HOOD (Ref # 56033J)        | 56033-1379  | 1        |
| LABEL-MANUAL,FRONT HOOD (Ref # 56033K)        | 56033-1380  | 1        |
| LABEL-MANUAL,AIR CLEANER (Ref # 56033L)       | 56033-1488  | 1        |
| LABEL-MANUAL,AIR CLEANER(F) (Ref # 56033M)    | 56033-1489  | 1        |
| LABEL-WARNING,GASOLINE (Ref # 56071)          | 56071-0588  | 1        |
| LABEL-WARNING,GASOLINE(FRENCH) (Ref # 56071A) | 56071-0593  | 1        |
| LABEL-WARNING,CARGO CAPA. (Ref # 56071B)      | 56071-0699  | 1        |
| LABEL-WARNING,TRAILER HITCH (Ref # 56071C)    | 56071-0701  | 1        |
| LABEL-WARNING,SCREEN OPERATION (Ref # 56071D) | 56071-0702  | 1        |
| LABEL-WARNING,GENERAL (Ref # 56071E)          | 56071-0706  | 1        |
| LABEL-WARNING,GENERAL (Ref # 56071G)          | 56071-0709  | 1        |
| LABEL-WARNING,TRAILER HITCH (Ref # 56071H)    | 56071-0711  | 1        |
| LABEL-WARNING,SCREEN OPERATION (Ref # 56071I) | 56071-0712  | 1        |
| LABEL-WARNING,CARGO CAPA. (Ref # 56071J)      | 56071-0713  | 1        |
| LABEL-WARNING,CARGO CAPA. (Ref # 56071K)      | 56071-0714  | 1        |
| LABEL-WARNING,TIRE&LOAD (Ref # 56071M)        | 56071-0721  | 1        |
| LABEL-WARNING,BED OPERATION (Ref # 56071N)    | 56071-0979  | 2        |
| LABEL-WARNING,BED OPERATION (Ref # 56071O)    | 56071-1041  | 2        |
| LABEL-WARNING,TIRE&LOAD (Ref # 56071P)        | 56071-1440  | 1        |

# 2026 MULE PRO-FXT™ 1000 LE

## PARTS LIST

### Labels

| ITEM NAME                                 | PART NUMBER | QUANTITY |
|-------------------------------------------|-------------|----------|
| LABEL-WARNING,TIRE&LOAD(F) (Ref # 56071Q) | 56071-1443  | 1        |
| RIVET,3.2X8 (Ref # 92039)                 | 92039-3763  | 6        |
| WASHER,3.5X8X1 (Ref # 92200)              | 92200-1251  | 6        |