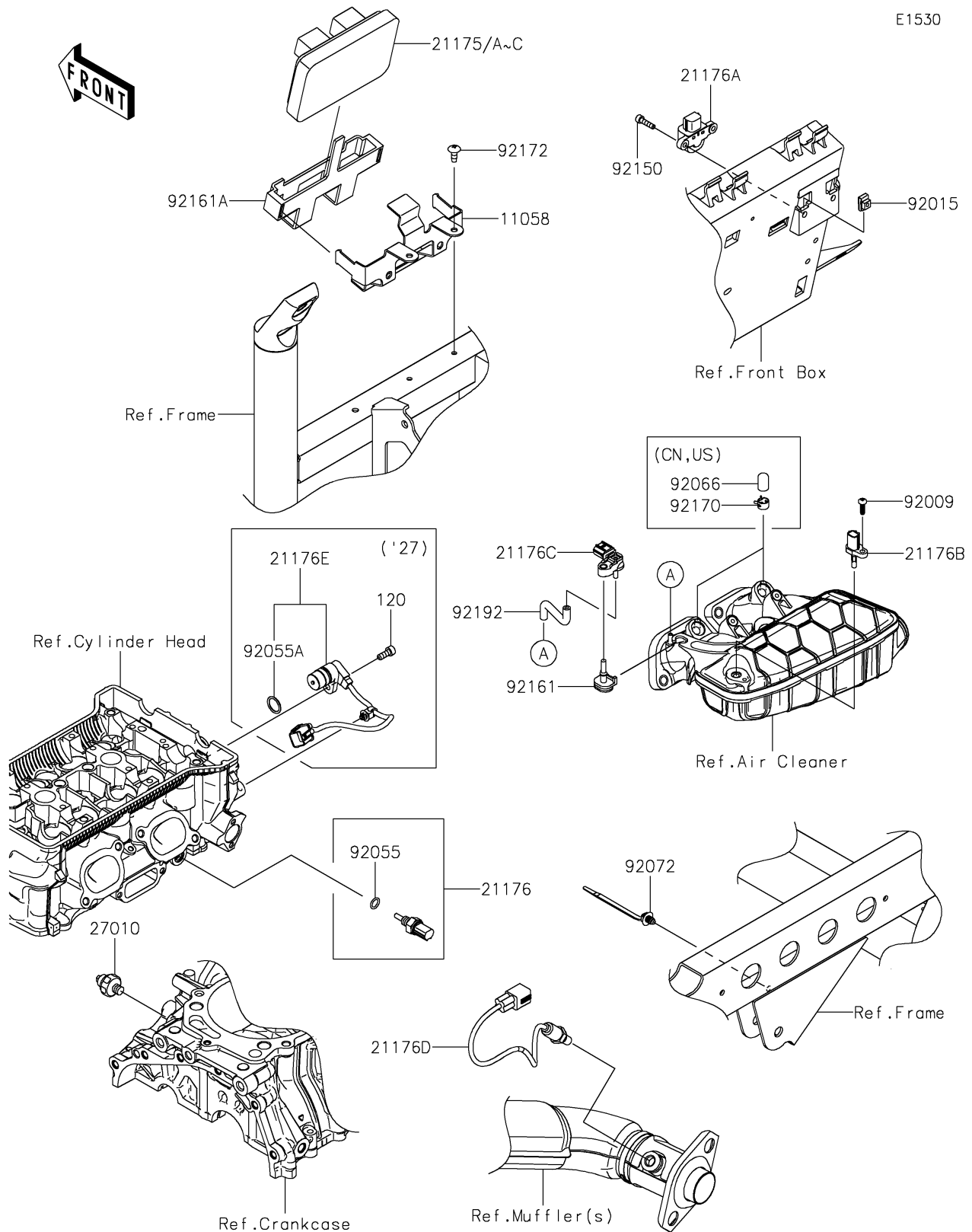


2026 MULE PRO-FXT™ 1000 LE

PARTS DIAGRAM

Fuel Injection



2026 MULE PRO-FXT™ 1000 LE

PARTS LIST

Fuel Injection

| ITEM NAME | PART NUMBER | QUANTITY |
|--|-------------|----------|
| BRACKET,ECU (Ref # 11058) | 11058-0323 | 1 |
| CONTROL UNIT-ELECTRONIC (Ref # 21175) | 21175-1853 | 1 |
| CONTROL UNIT-ELECTRONIC (Ref # 21175A) | 21175-1877 | 1 |
| SENSOR,WATER TEMP (Ref # 21176) | 21176-0009 | 1 |
| SENSOR,VEHICLE-DOWN (Ref # 21176A) | 21176-0026 | 1 |
| SENSOR,AIR TEMPERATURE (Ref # 21176B) | 21176-0048 | 1 |
| SENSOR,PRESSURE (Ref # 21176C) | 21176-0906 | 1 |
| SENSOR,OXYGEN (Ref # 21176D) | 21176-1192 | 1 |
| SWITCH,OIL PRESSURE (Ref # 27010) | 27010-1313 | 1 |
| SCREW,TAPPING,5X16 (Ref # 92009) | 92009-1264 | 1 |
| NUT,5MM (Ref # 92015) | 92015-1627 | 2 |
| RING-O,9.5X1.9 (Ref # 92055) | 92055-0016 | 1 |
| PLUG (Ref # 92066) | 92066-0862 | 2 |
| BAND,OS170-FT7(BLACK) (Ref # 92072) | 92072-1414 | 1 |
| BOLT,SOCKET,5X20 (Ref # 92150) | 92150-1019 | 2 |
| DAMPER (Ref # 92161) | 92161-0673 | 1 |
| DAMPER,ECU (Ref # 92161A) | 92161-2481 | 1 |
| CLAMP (Ref # 92170) | 92170-2043 | 2 |
| SCREW,TAPPING,6X16 (Ref # 92172) | 92172-0739 | 2 |
| TUBE (Ref # 92192) | 92192-2633 | 1 |