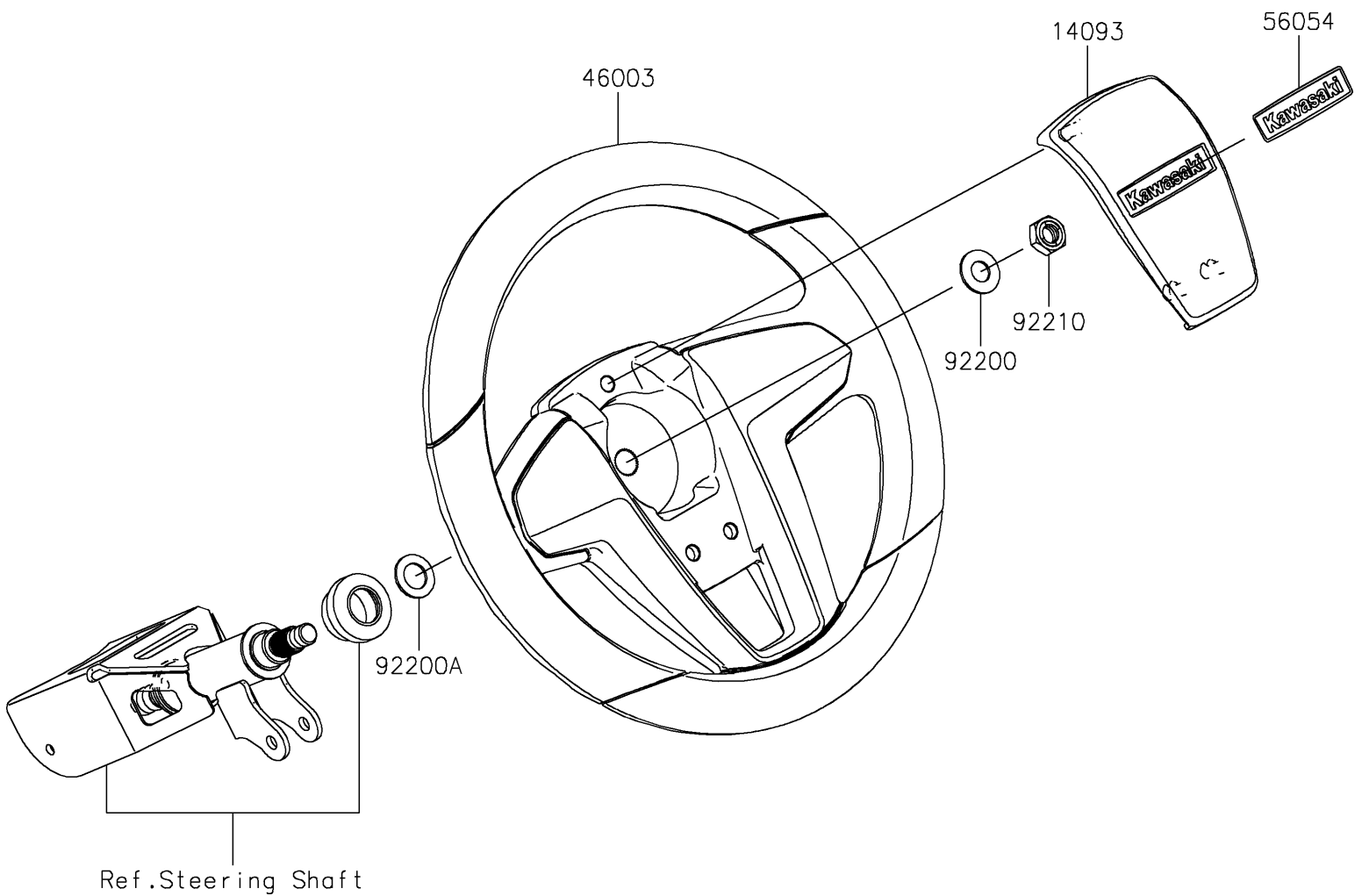


# 2024 MULE PRO-FXR 1000

## PARTS DIAGRAM

### Steering Wheel

F2311



# 2024 MULE PRO-FXR 1000

## PARTS LIST

### Steering Wheel

| ITEM NAME | PART NUMBER | QUANTITY |
|-----------|-------------|----------|
|-----------|-------------|----------|

---