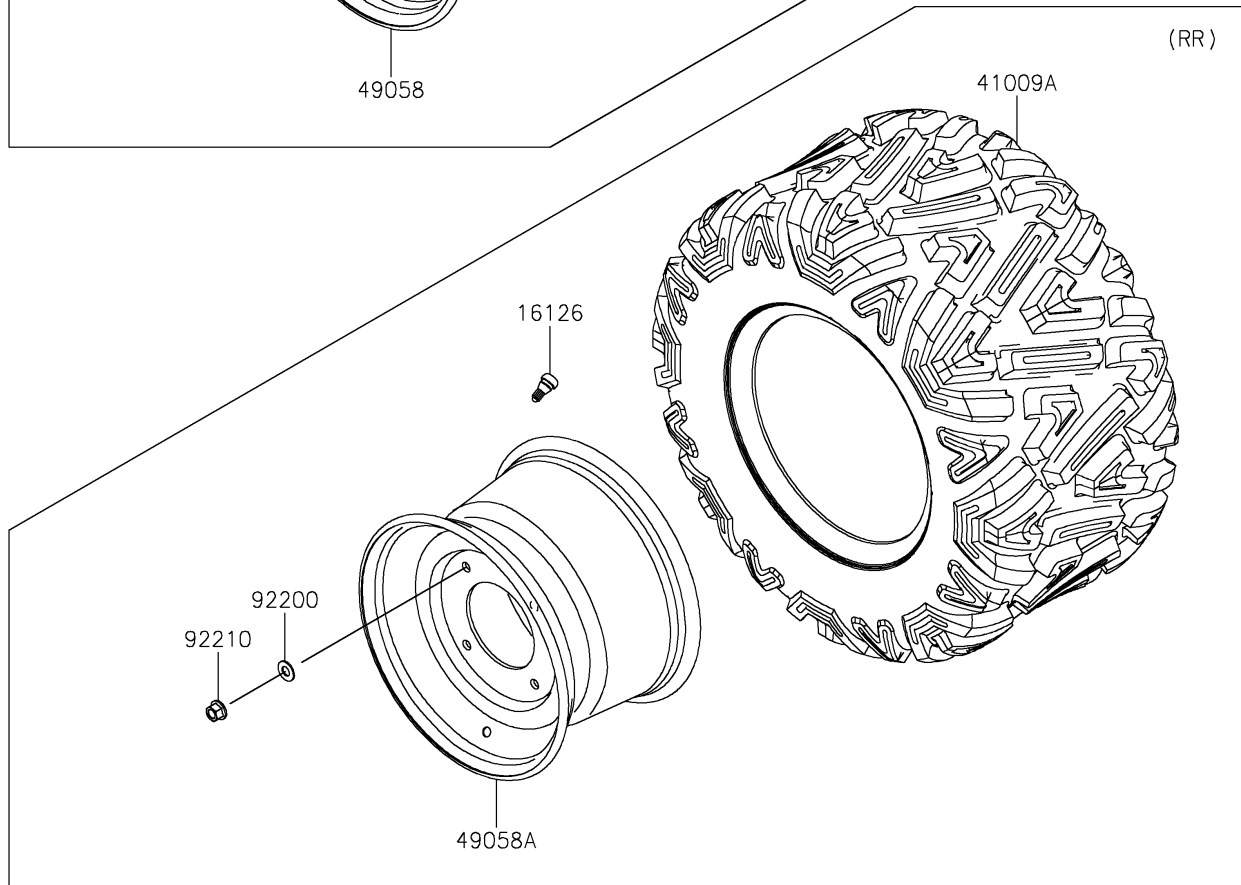
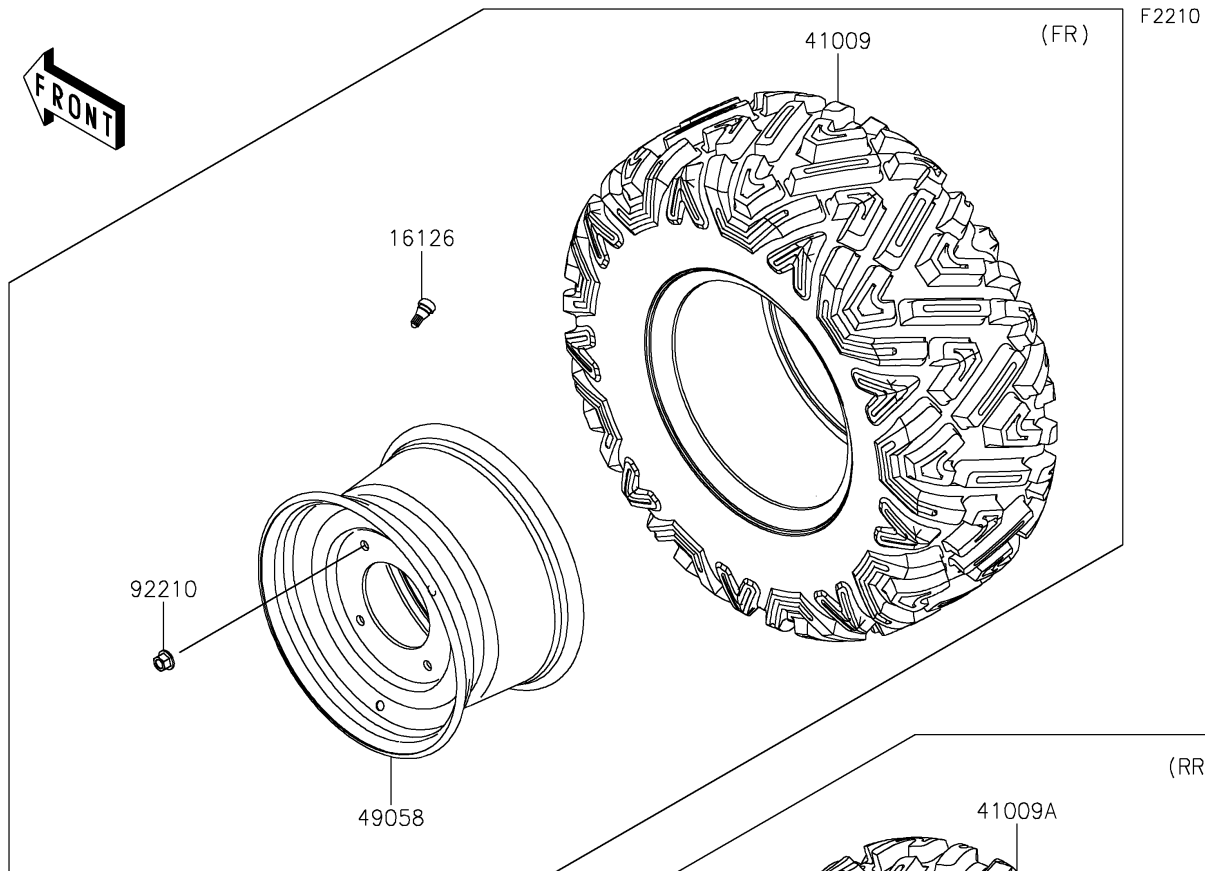


# 2024 MULE PRO-FXR 1000

## PARTS DIAGRAM

### Wheels/Tires



# 2024 MULE PRO-FXR 1000

## PARTS LIST

### Wheels/Tires

**ITEM NAME**

**PART NUMBER**

**QUANTITY**

---