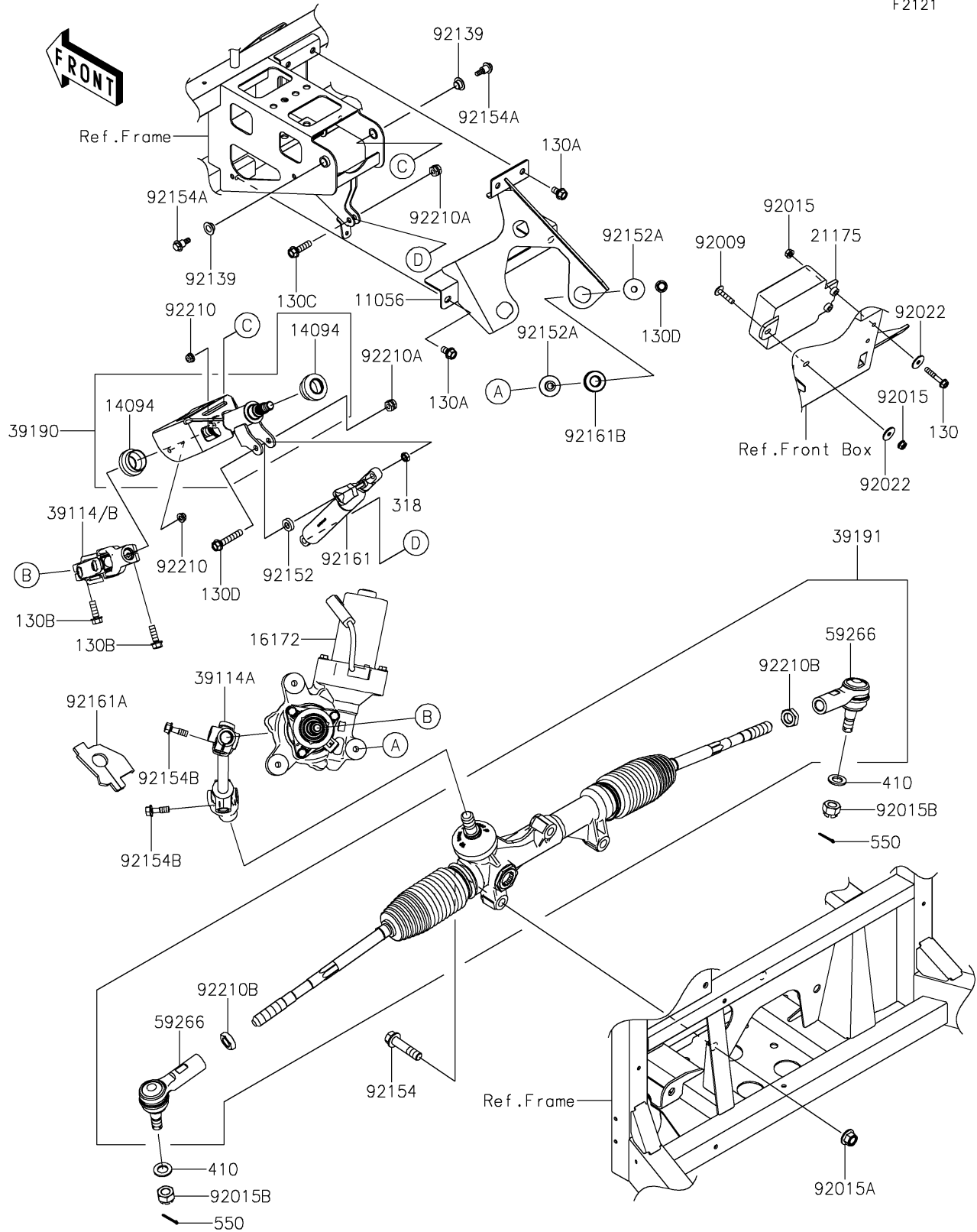


2026 MULE PRO-FXR™ 1000

PARTS DIAGRAM

Steering Shaft

F2121



2026 MULE PRO-FXR™ 1000

PARTS LIST

Steering Shaft

| ITEM NAME | PART NUMBER | QUANTITY |
|-----------|-------------|----------|
|-----------|-------------|----------|
