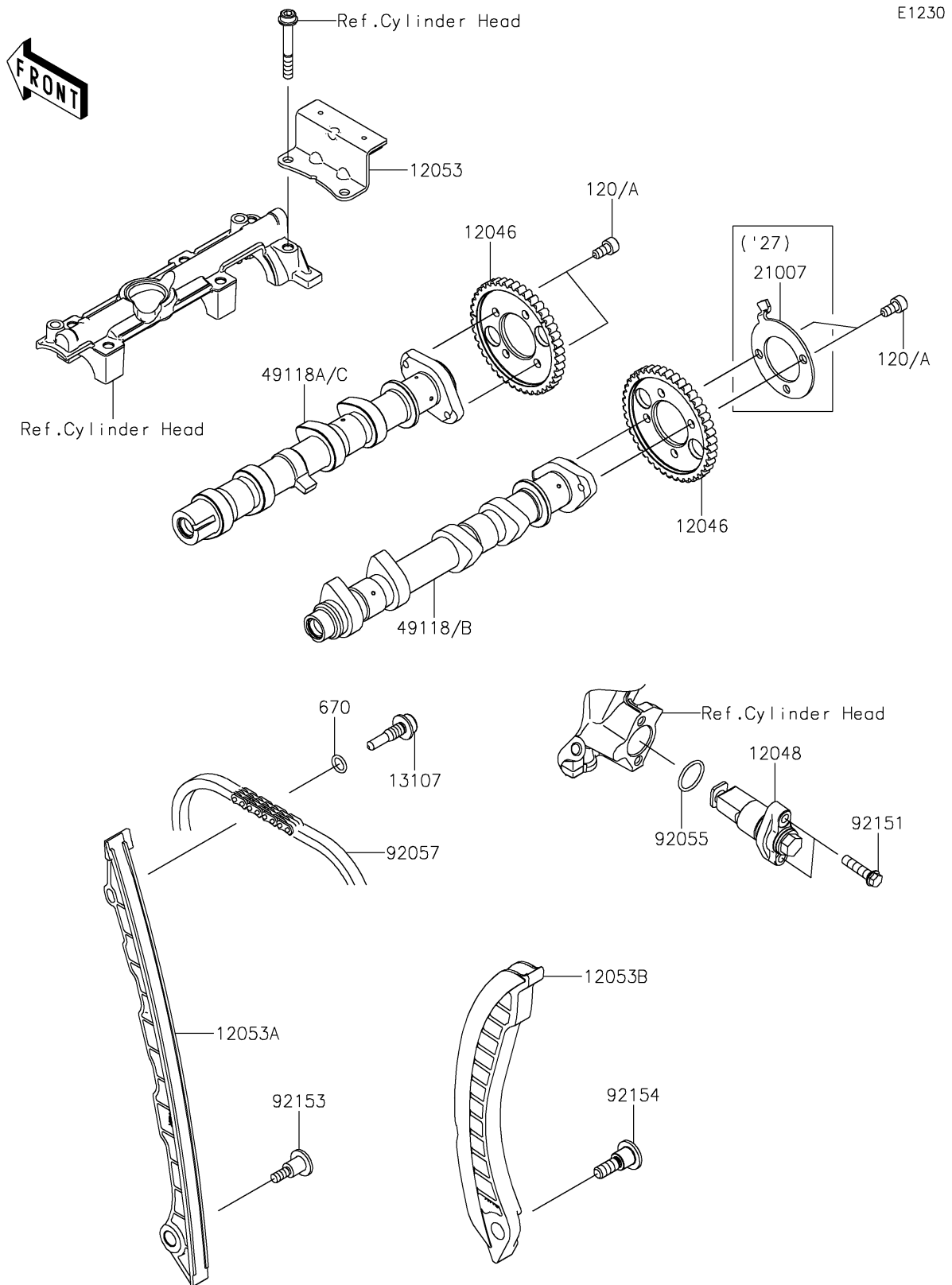


# 2026 MULE PRO-FXR™ 1000

## PARTS DIAGRAM

### Camshaft(s)/Tensioner



# 2026 MULE PRO-FXR™ 1000

## PARTS LIST

### Camshaft(s)/Tensioner

ITEM NAME	PART NUMBER	QUANTITY
-----------	-------------	----------

---