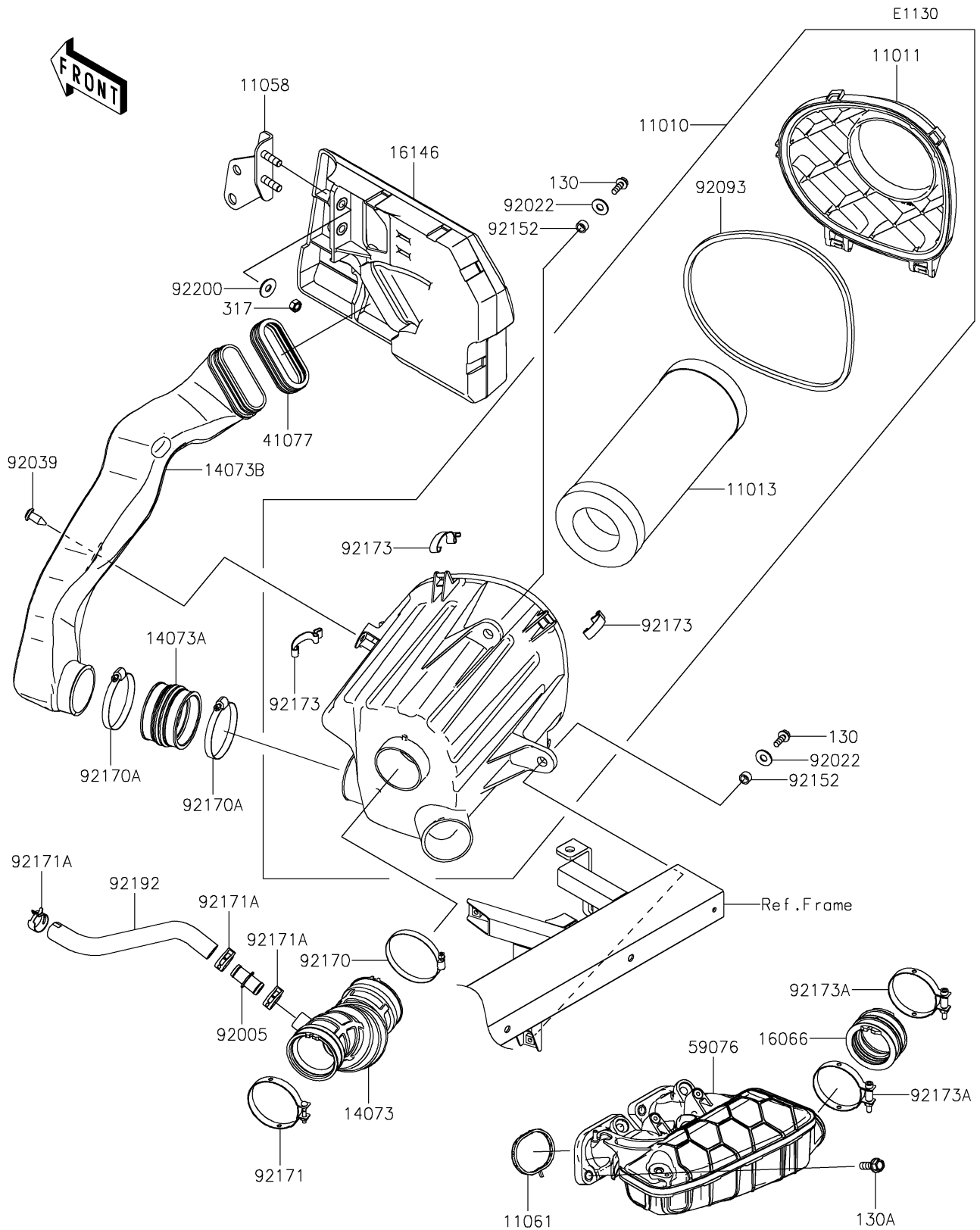


# 2024 MULE PRO-FXR 1000

## PARTS DIAGRAM

### Air Cleaner



# 2024 MULE PRO-FXR 1000



## PARTS LIST

### Air Cleaner

ITEM NAME	PART NUMBER	QUANTITY
-----------	-------------	----------