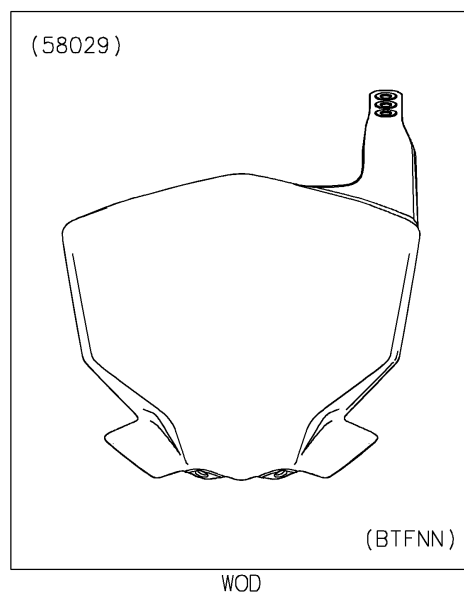
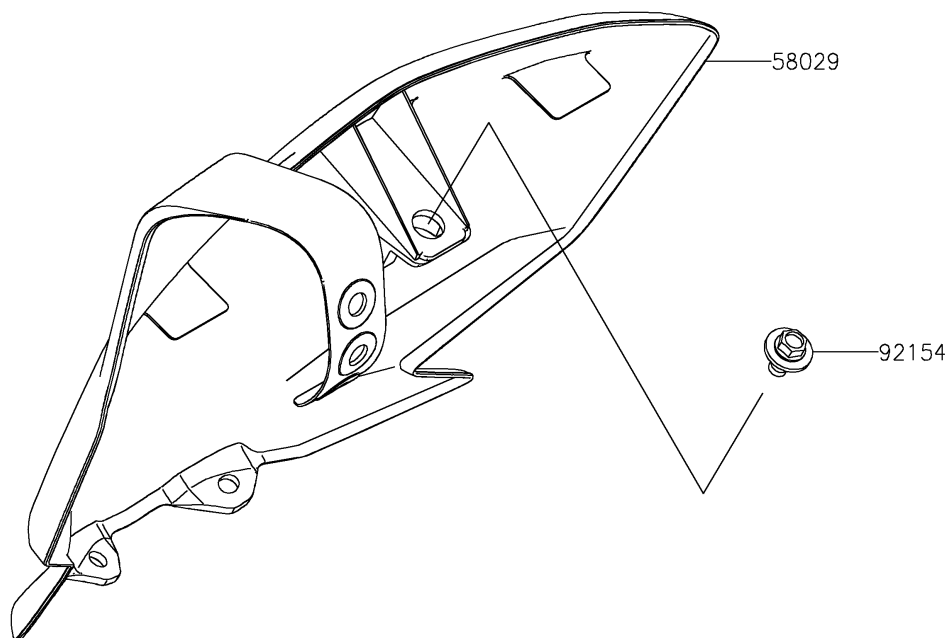


2026 KX™112

PARTS DIAGRAM

Accessory

F2910



2026 KX™112

PARTS LIST

Accessory

ITEM NAME

PART NUMBER

QUANTITY
