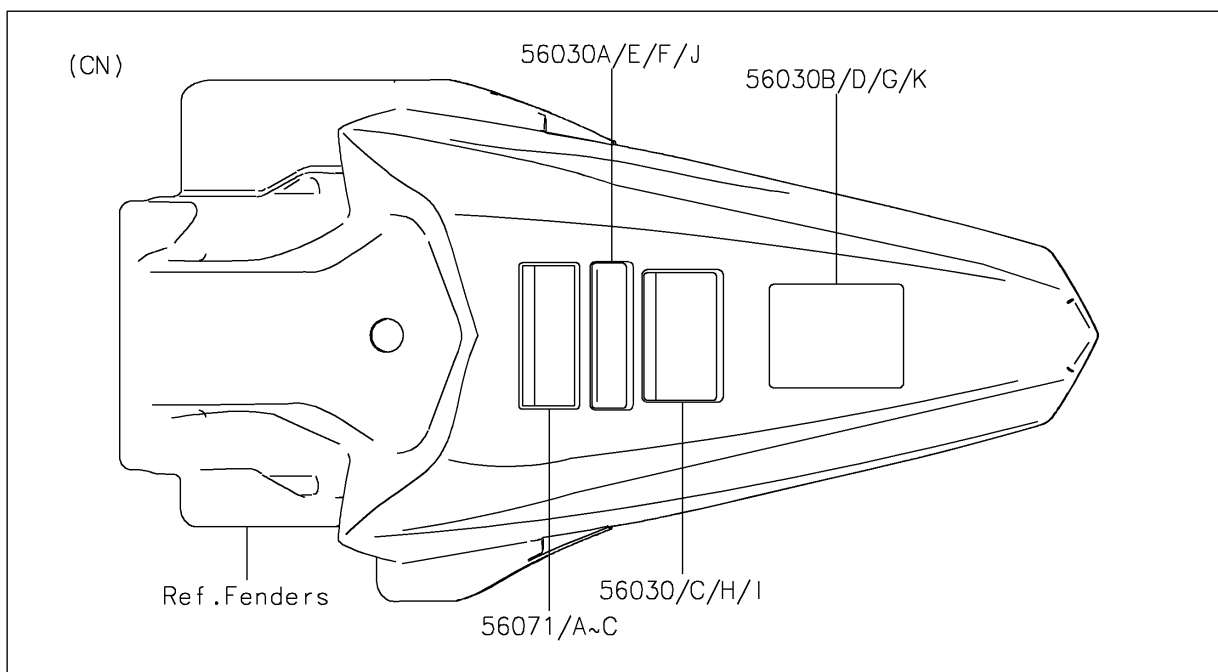
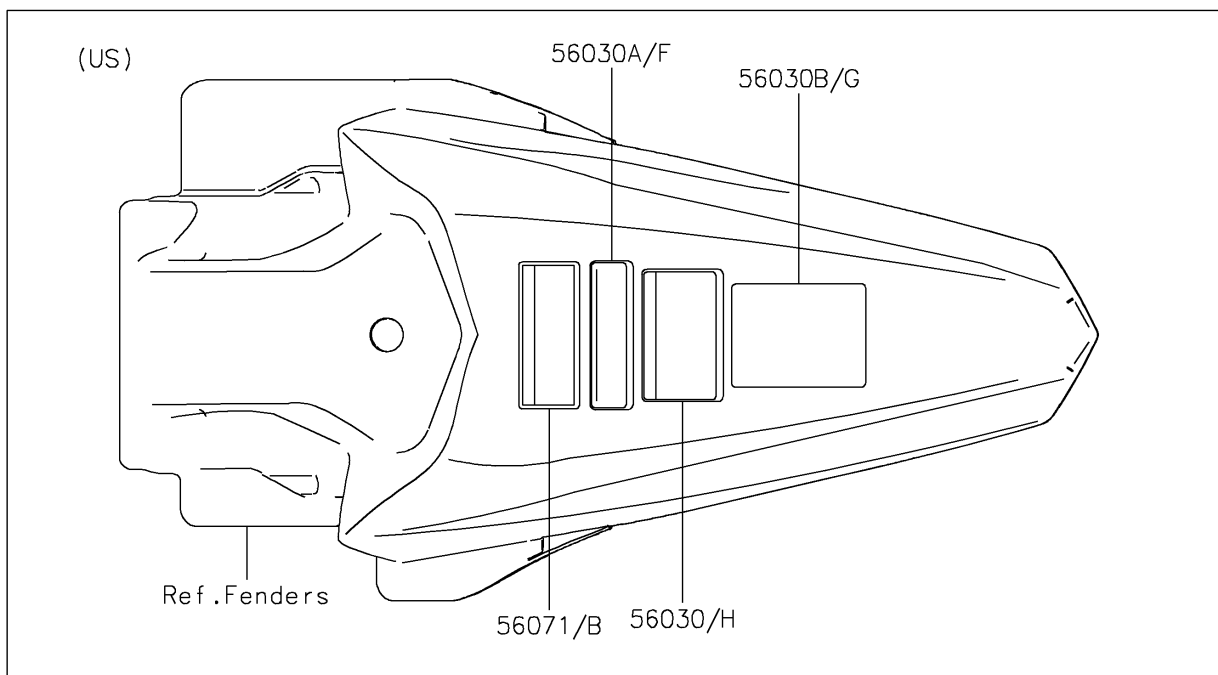


# 2026 KX™112

## PARTS DIAGRAM

### Labels

F2860



# 2026 KX™112

## PARTS LIST

### Labels

ITEM NAME	PART NUMBER	QUANTITY
LABEL,DISCLAIMER (Ref # 56030)	56030-0926	1
LABEL,NOISE EMISSION (Ref # 56030A)	56030-1231	1
LABEL,32:1 (Ref # 56030B)	56030-1619	1
LABEL,DISCLAIMER(F) (Ref # 56030C)	56030-2642	1
LABEL,32:1(F) (Ref # 56030D)	56030-2643	1
LABEL,NOISE EMISSION(F) (Ref # 56030E)	56030-2644	1
LABEL-WARNING,IMPORTANT NOTICE (Ref # 56071)	56071-0028	1
LABEL-WARNING,IMP. NOTICE(F) (Ref # 56071A)	56071-1309	1